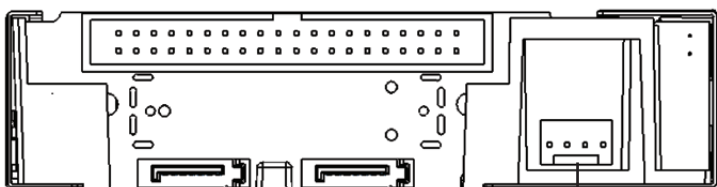


DataPort 25 SL Install Guide

The DataPort 25 SL is a low profile DataPort designed to fit into small form factor 3.5" drive bays. The DataPort 25 SL holds one SATA 2.5" hard drive.

Installing the frame into your computer

1. Locate an available 3.5" drive bay and remove the front bezel.
2. If your computer requires mounting rails, install the rails on the DataPort 25 SL frame and slide it into the computer and ensure it is properly secured.
3. If your computer does not require mounting rails slide the DataPort 25 SL frame into the computer drive bay and secure it with the provided mounting screws.
4. Locate and connect an available 4-pin power connector (used for floppy drives) to the back of the DataPort 25 SL frame.
5. Locate an available SATA data cable and connect it to the back of the DataPort 25 SL frame to the left most SATA connector (see picture for details).



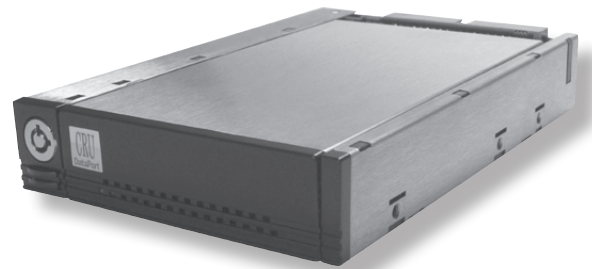
Use this SATA data connector

Power connector

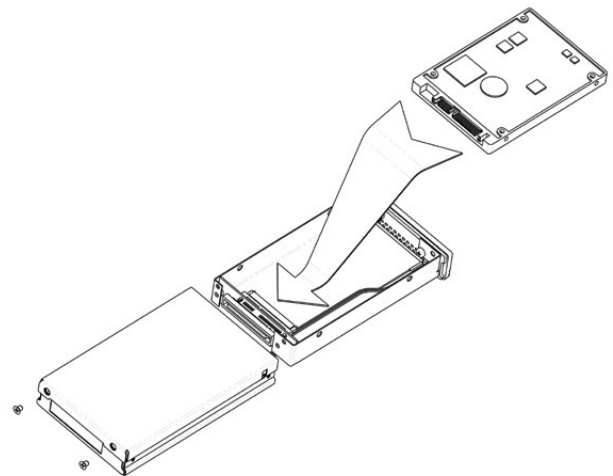
Your frame installation is complete.

Installing a hard drive in your DataPort 25 SL Carrier

1. Remove the two screws from the back of the SL Carrier. Slide the metal cover off. Note: Do NOT use screws longer than those supplied as the circuit board will be damaged.



2. Install the hard drive upside-down. Connect the hard drive (upside-down) to the connector on the circuit board with the bottom of the hard drive facing upwards. Then use the provided screws to secure the hard drive.
3. Slide the cover back on to the carrier and secure it with the cover screws.



Operation

Warning! Please do not touch the connector on the back of the carrier. Internal damage could result from electrostatic discharge.

Warning! The DataPort 25 SL is not interchangeable with any other DataPort 25 products. Due to size limitations the DataPort 25 SL carrier will not fit properly into other DataPort 25 frames. Any attempt to do so could result in the loss of data. The DataPort 25 SL frame will only support the DataPort 25 SL carrier. Any other carrier will not fit properly into the DataPort 25 SL and could damage it.



The lock on the DataPort 25 SL serves as a power switch. It must be engaged for the DataPort 25 SL to power up and function properly.

Hard Drive Activity LED

The front of the DataPort 25 SL carrier has two LEDs; a green LED that lights up when the power to the hard drive is on and an amber LED that lights up when the drive is active.

Product Warranty

CRU-DataPort (CRU) warrants the DataPort 25 SL to be free of significant defects in material and workmanship for a period of three years from the original date of purchase. CRU's warranty is nontransferable and is limited to the original purchaser.

Limitation of Liability

The warranties set forth in this agreement replace all other warranties. CRU expressly disclaims all other warranties, including but not limited to, the implied warranties of merchantability and fitness for a particular purpose and noninfringement of third-party rights with respect to the documentation and hardware. No CRU dealer, agent or employee is authorized to make any modification, extension, or addition to this warranty. In no event will CRU or its suppliers be liable for any costs of procurement of substitute products or services, lost profits, loss of information or data, computer malfunction, or any other special, indirect, consequential, or incidental damages arising in any way out of the sale of, use of, or inability to use any CRU product or service, even if CRU has been advised of the possibility of such damages. In no case shall CRU's liability exceed the actual money paid for the products at issue. CRU reserves the right to make modifications and additions to this product without notice or taking on additional liability.

Register your product at www.CRU-DataPort.com.

A5-025-0011 Rev. 1