

Data Express DE100 ATA 33 Install Guide

Removable ATA 33 Drive Enclosure

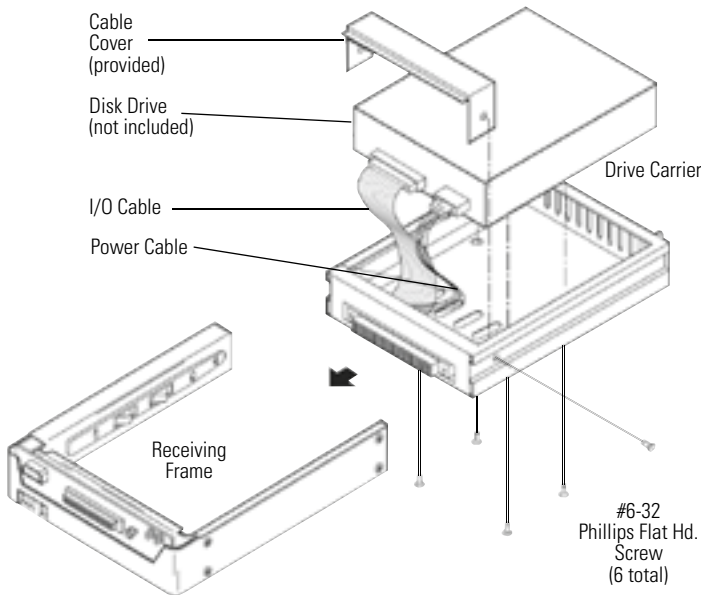


Figure 1: Drive Installation Assembly

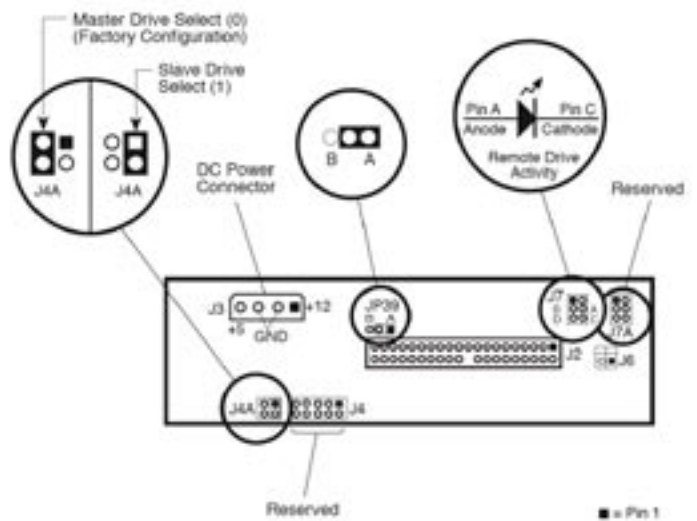


Figure 2: Receiving Frame Motherboard (rear view)

Receiving Frame Motherboard

Activity Select Jumper (JP39): Default setting is "A" to use the activity indicator light on the receiving frame. Set to "B" to use the drive activity light on the computer chassis.

Master/Slave Selection Jumper (J4A): Master Drive configuration (default). Forces master drive configuration on receiving frame. Change jumper to set slave drive configuration, or remove jumper to use unit ID select switch on receiving frame.

Master/Slave Connection (J6): Used for older model drives that do not support a Slave Present handshake signal at I/O connector Pin-39. When using two receiving frames, a connection between J6 may be required.

Remote Drive Activity (J7): Pins A & C are used for remote drive activity. All other pins are reserved.

Master/Slave Drive Selection

There are two ways to set the Master/Slave drive designation.

- 1. Use the factory-installed jumper on your IDE drive** - In most cases, the drive will be factory configured as a Master IDE drive using a jumper plug on the drive itself. No configuration changes are required. For multiple drive configurations, it is necessary to set the first IDE drive as Master and the second IDE drive to Slave. This can be done by changing the jumper on the IDE drive itself (refer to the drive manufacturer documentation). This method requires no additional configuration of the drive carrier circuit board.
- 2. Use the hard-wire connector J3 on the drive carrier circuit board** - The Master/Slave drive selection can also be set by the receiving frame using either Jumper 4A located on the rear panel or by setting the unit ID select switch. These two methods require the fabrication of a cable (not provided).

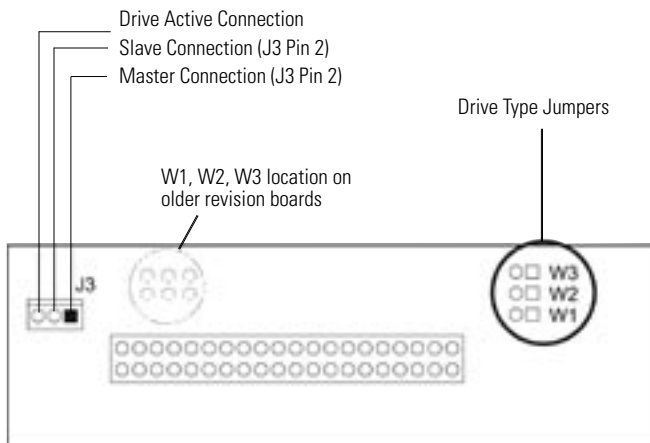


Figure 3: Drive Carrier Circuit Board

NOTES: The unit ID number display is for ID display purposes only. The master/slave setting must be set on the drive itself.

The lock on the Data Express receiving frame functions as a lock and a DC power switch for the carrier unit. The lock **MUST** be engaged (turned counterclockwise) in order to supply power to the carrier and installed drive unit.

Product Warranty

CRU-DataPort (CRU) warrants the Data Express DE100 to be free of significant defects in material and workmanship for a period of five years from the original date of purchase. CRU's warranty is nontransferable and is limited to the original purchaser.

Limitation of Liability

The warranties set forth in this agreement replace all other warranties. CRU expressly disclaims all other warranties, including but not limited to, the implied warranties of merchantability and fitness for a particular purpose and non-infringement of third-party rights with respect to the documentation and hardware. No CRU dealer, agent or employee is authorized to make any modification, extension, or addition to this warranty. In no event will CRU or its suppliers be liable for any costs of procurement of substitute products or services, lost profits, loss of information or data, computer malfunction, or any other special, indirect, consequential, or incidental damages arising in any way out of the sale of, use of, or inability to use any CRU product or service, even if CRU has been advised of the possibility of such damages. In no case shall CRU's liability exceed the actual money paid for the products at issue. CRU reserves the right to make modifications and additions to this product without notice or taking on additional liability.

Certification

EMI Standard: FCC Part 15 Class B, CE
 EMC Standard: EN55022, EN55024

FCC Certification

This device has been tested and found to comply with the limits for a Class B digital device, pursuant to Part 15 of the FCC rules. Operation is subject to the following two conditions:

1. This device may not cause harmful interference.
2. This device must accept any interference received; including interference that may cause undesired operation.

Register your product at www.CRU-DataPort.com.

A7-100-0005 Rev. 1

Selecting the Unit ID Number: Use the alignment tool (provided) to select the ID number of the disk drive.

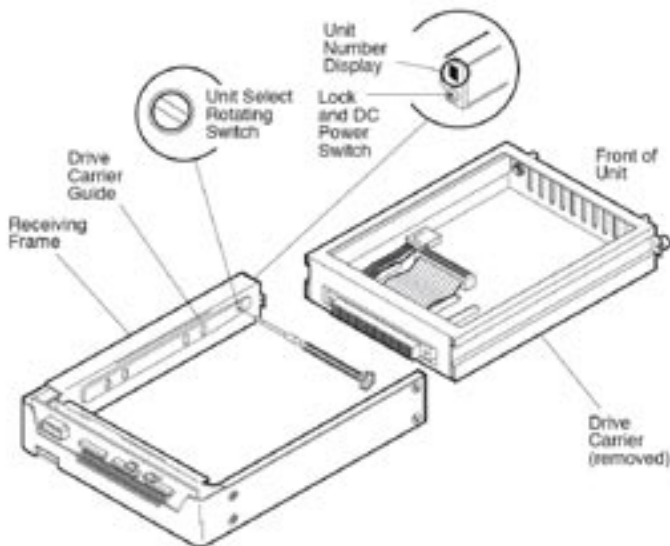


Figure 4: Unit ID Select Switch Location

Unit ID Select Switch Settings

The following table lists the unit ID select switch settings and the valid AT/IDE unit numbers. Please note that all invalid switch settings have shaded boxes and result in a blank display in the receiving frame window.

Unit ID Select Position	0	1	2	3	4	5	6	7	8	9
Drive Selection		Master	Slave			Master	Slave			
Unit ID Number Display	Blank	0	1	Blank	Blank	2	3	Blank	Blank	Blank