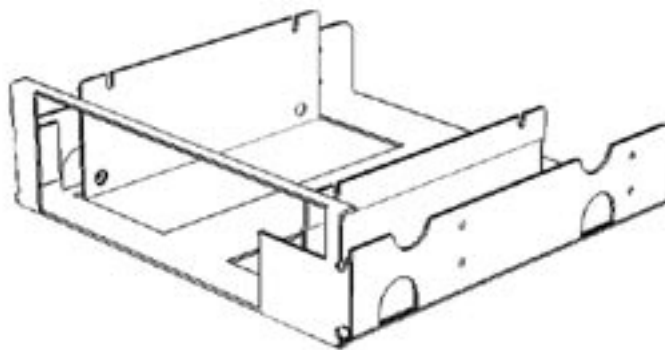


The DataPort 25 Combo Bracket Installation Guide

The DataPort Combo Bracket is designed to allow a slim-line CDR/DVD and a DataPort 25 to be mounted into a 5.25" bay. The Combo Bracket frees up space by combining a slim-line CDR/DVD and 3.5" DataPort 25 or floppy disk drive that would normally occupy a 5.25" bay and a 3.5" bay.

1. Shut off the computer and disconnect the power. Remove the computer cover.
2. Locate an available 5.25" bay and remove the front bezel.
3. Mount the DataPort 25 or floppy disk drive in the bottom slot on the Combo Bracket.
4. Mount the slim-line CDR/DVD in the top slot.
5. Slide the Combo bracket into an available 5.25" bay.
6. Make sure the CDR/DVD and the DataPort 25 are jumpered appropriately, then connect the power cables. If needed, use the provided power splitter.
7. Secure the Combo Bracket into the computer with the screws provided.

Note: Use of a magnetic screwdriver will aid in the installation of the screws.



The DataPort Combo Bracket comes with a 90-day limited warranty. If you have any technical questions please contact CRU-DataPort's Technical Support Department by visiting our web site at <http://www.CRU-DataPort.com>, sending an email message to support@CRU-DataPort.com or calling 1-800-260-9800.