

DE100 Ultra 160 68-pin Install Guide

Removable SCSI Wide Ultra160 Drive Enclosure

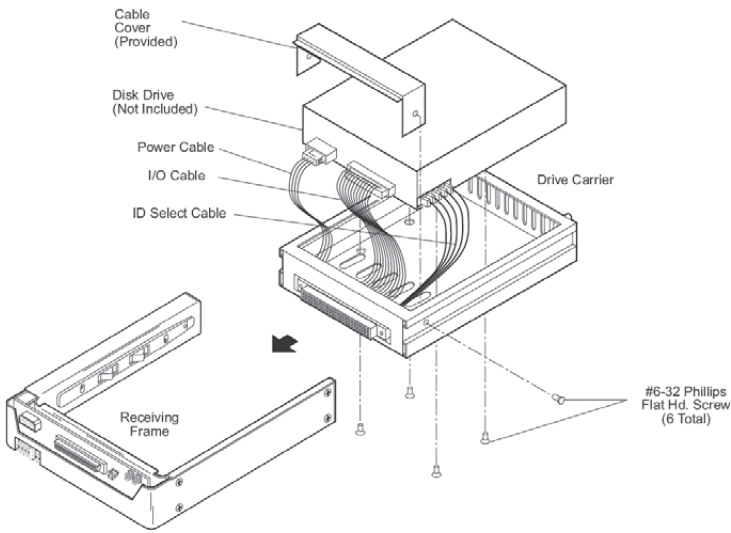
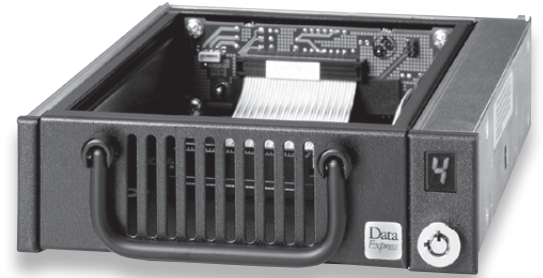


Figure 1: Drive Installation Assembly

Receiving Frame Motherboard

Factory-Installed Jumpers (J4): There are two (2) jumpers factory-installed on J4. One jumper is located on Pins 7 & 8, the other on Pins 9 & 10.

NOTE: Do not remove jumpers! (Remove only if attaching the 6103-1020-0000 Isolator Board.)

Option Pin Connector (W1)

Remote Unit ID Selection: Pins 1-8 are provided for remote unit ID selection for the computer system or expansion chassis. Remote ID selection requires that the unit ID select switch located inside the receiving frame be set to "0".

Remote Activity LED: Pins 9 & 10 provide power for a remote LED device activity indicator.

Enable Termination Power Connector (W2): A jumper is installed at the factory and enables termination power to/from the SCSI bus.

NOTE: Do not remove this jumper!

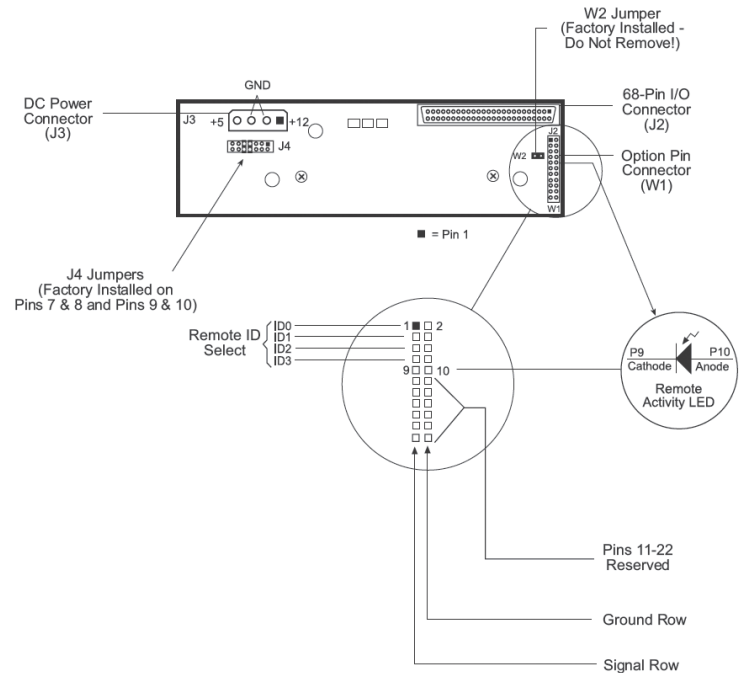


Figure 2: Drive Installation Assembly

Note: The DE100 Ultra 160 may be shipped with an isolator/repeater board factory-installed. If this is the case, your DE100 Ultra 160 will look slightly different from figure above. Please refer to figure below for receiving frame with isolator/repeater board attached (rear view).

The DE100 Ultra 160 Isolator/Repeater Board is an upgrade attachment for the DE100 Ultra 160 receiving frame. This attachment provides both an enhanced, bus-isolating hot swap and repeater function.

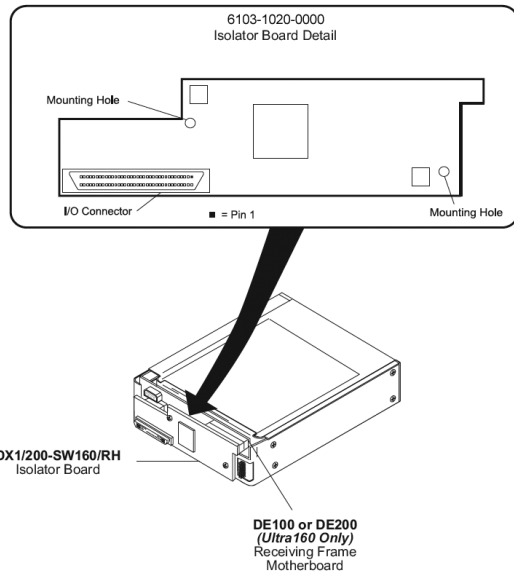


Figure 3: Receiving Frame Motherboard (rear view)

Typical 2MM Drive ID Pin Configuration

Figure below illustrates a typical SCSI ID select connection to a drive with 2mm ID select pins. The wires on the wire harness connect to the positive pin (or signal pins) on the disk drive. In some cases, the drive manufacturer will label the signal pins as Pin 1, 3, 5, 7, (instead of 0, 1, 2, 3 as shown in figure below). Also, in some cases, the even-numbered Pins 2, 4, 6 are used for Ground.

Attach the ID select cable to the drive using the 2mm connectors. Align the "ID0" pin with the black wire. Attach the 1.25mm connector on the other end of the ID select cable to the 1.25mm connector (J3B) provided on the signal distribution board, located inside the carrier. Refer to the manufacturer's documentation to disable termination on the drive.

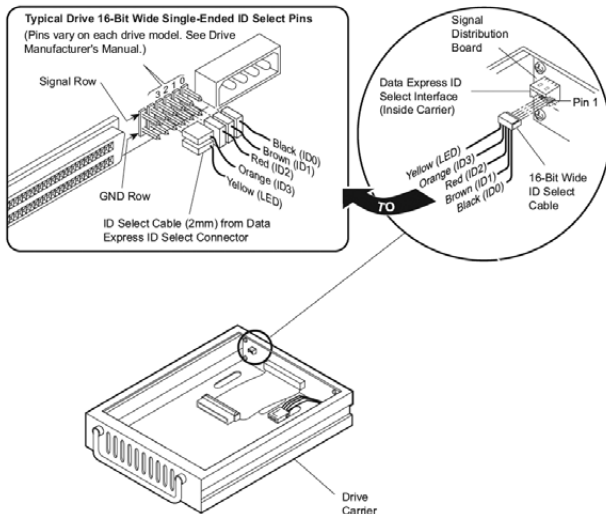


Figure 4: Typical SCSI ID Select Connections (2mm Drive Pins)

Selecting the Unit ID Number: Use the alignment tool (provided) to select the ID number of the disk drive.

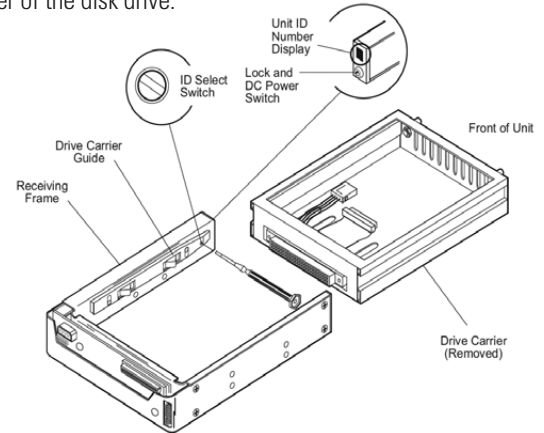


Figure 5: Unit ID Select Switch Location

NOTE: The lock on the Data Express receiving frame functions as a lock and a DC power switch for the carrier unit. The lock **MUST** be engaged (turned counterclockwise) in order to supply power to the carrier and installed drive unit.

Limited Product Warranty

CRU-DataPort (CRU) warrants the Data Express DE100 to be free of significant defects in material and workmanship for a period of five years from the original date of purchase. CRU's warranty is nontransferable and is limited to the original purchaser.

Limitation of Liability

The warranties set forth in this agreement replace all other warranties. CRU expressly disclaims all other warranties, including but not limited to, the implied warranties of merchantability and fitness for a particular purpose and non-infringement of third-party rights with respect to the documentation and hardware. No CRU dealer, agent or employee is authorized to make any modification, extension, or addition to this warranty. In no event will CRU or its suppliers be liable for any costs of procurement of substitute products or services, lost profits, loss of information or data, computer malfunction, or any other special, indirect, consequential, or incidental damages arising in any way out of the sale of, use of, or inability to use any CRU product or service, even if CRU has been advised of the possibility of such damages. In no case shall CRU's liability exceed the actual money paid for the products at issue. CRU reserves the right to make modifications and additions to this product without notice or taking on additional liability.

Certification

EMI Standard: FCC Part 15 Class B, CE
EMC Standard: EN55022, EN55024

FCC Certification

This device has been tested and found to comply with the limits for a Class B digital device, pursuant to Part 15 of the FCC rules. Operation is subject to the following two conditions:

1. This device may not cause harmful interference.
2. This device must accept any interference received; including interference that may cause undesired operation.

Register your product at www.CRU-DataPort.com.

A7-100-0008 Rev. 1.1