

DE100 Ultra160 SCA Install Guide

Removable SCSI Wide Ultra160 Drive Enclosure

Note: For SCSI Ultra160 operation, the DE 100-Ultra160 SCA requires Ultra160 chassis and cabling.

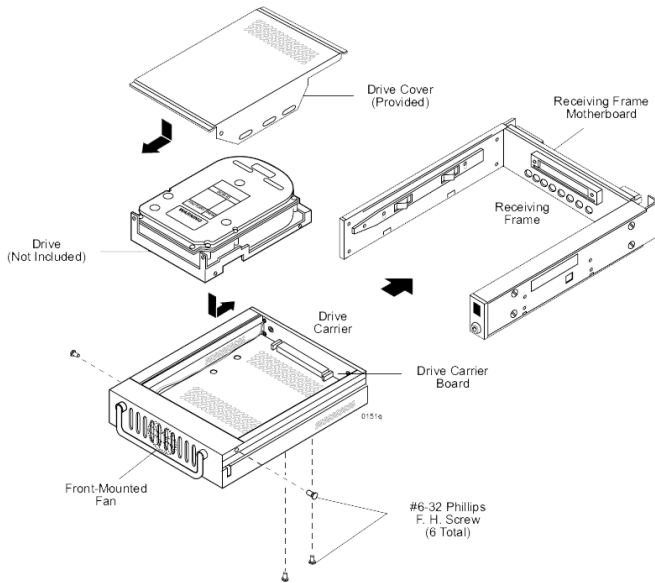
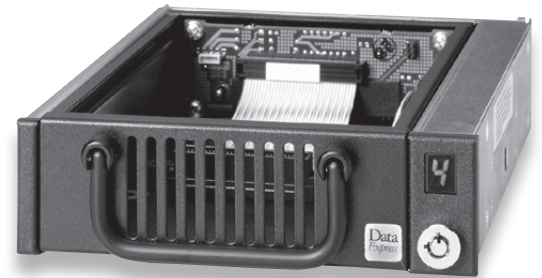


Figure 1: Drive Installation Overview

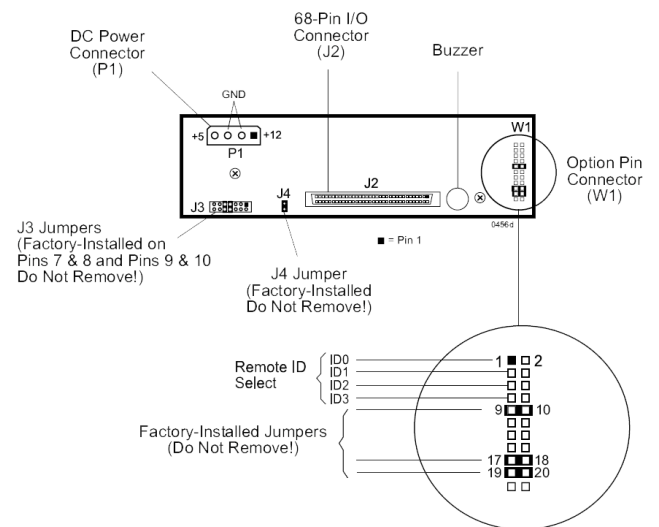


Figure 2: Receiving Frame Motherboard (Rear View)

Receiving Frame Motherboard

Option Pin Connector (W1)

Remote Unit ID Selection: Pins 1-8 this connector are provided for remote unit SCSI ID selection through the computer system. Remote ID selection requires that the unit ID switch located on the inside of the receiving frame be set to "0" (onboard ID selection is set with a switch located on the inside of the receiving frame.)

Factory-Installed Jumpers: There are three (3) jumpers factory-installed on W1. These jumpers are located on Pins 9 & 10, Pins 17 & 18, and Pins 19 & 20.

Note: Do not remove these jumpers!

Enable Termination Power Connector (J4): This jumper is installed at the factory and enables termination power to/from the SCSI bus.

Note: Do not remove this jumper!

Factory-Installed Jumpers (J3): There are two (2) jumpers factory-installed on J3. One jumper is located on Pins 7 & 8, the other on Pins 9 & 10.

Note: Do not remove jumpers! Remove only if attaching the 6106-2001-0000 Isolator Board.

The DE100-Ultra160 SCA drive carrier contains one (1) front-mounted drive carrier fan for enhanced heat dissipation. Should the fan ever fail, the unit ID number indicator (located on the front of the receiving frame) will display a flashing "F" (refer to figure below) and an audible alarm will sound.

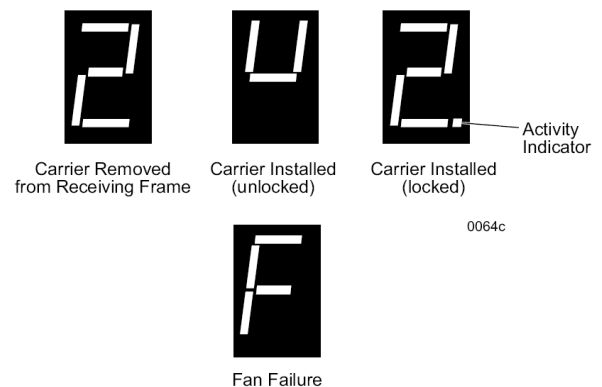


Figure 3: Receiving Frame Unit ID Number and Activity Display

The number "2" show above is for illustration purposes only. It can be any valid unit ID number. The letter "u" and "F" will appear as illustrated.

In case of failure, the fan is easily field-replacable. To replace the fan:

1. Carefully remove the hard drive.
2. Remove the three Phillips head screws, securing the fan bracket.
3. Remove the fan bracket, and make sure to disconnect the fan power cable from the carrier.
4. Remove the four screws securing the fan to the fan bracket.
5. Reverse the steps listed above to install the new fan.

Selecting the Unit ID Number: Use the alignment tool (provided) to select the ID number of the disk drive.

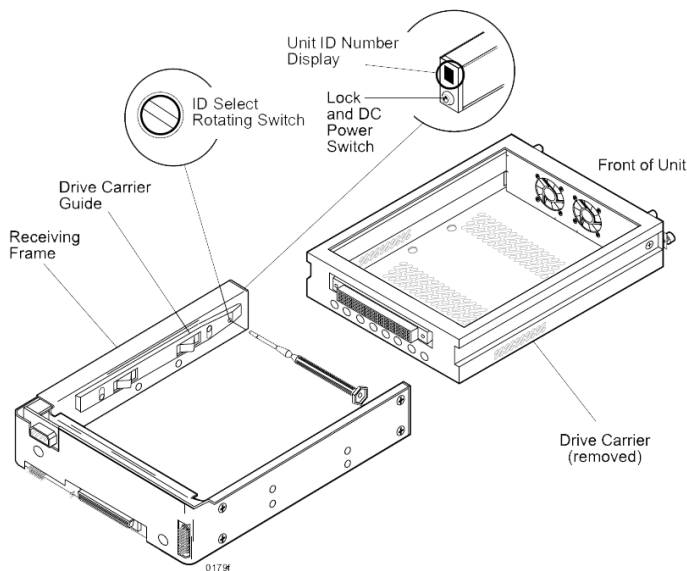


Figure 4: Unit ID Select Switch Location

NOTE: The lock on the Data Express receiving frame functions as a lock and a DC power switch for the carrier unit. The lock must be engaged (turned counterclockwise) in order to supply power to the carrier and installed drive unit.

Limited Product Warranty

CRU-DataPort (CRU) warrants the Data Express DE100 to be free of significant defects in material and workmanship for a period of five years from the original date of purchase. CRU's warranty is nontransferable and is limited to the original purchaser.

Limitation of Liability

The warranties set forth in this agreement replace all other warranties. CRU expressly disclaims all other warranties, including but not limited to, the implied warranties of merchantability and fitness for a particular purpose and non-infringement of third-party rights with respect to the documentation and hardware. No CRU dealer, agent or employee is authorized to make any modification, extension, or addition to this warranty. In no event will CRU or its suppliers be liable for any costs of procurement of substitute products or services, lost profits, loss of information or data, computer malfunction, or any other special, indirect, consequential, or incidental damages arising in any way out of the sale of, use of, or inability to use any CRU product or service, even if CRU has been advised of the possibility of such damages. In no case shall CRU's liability exceed the actual money paid for the products at issue. CRU reserves the right to make modifications and additions to this product without notice or taking on additional liability.

Certification

EMI Standard: FCC Part 15 Class B, CE
EMC Standard: EN55022, EN55024

FCC Certification

This device has been tested and found to comply with the limits for a Class B digital device, pursuant to Part 15 of the FCC rules. Operation is subject to the following two conditions:

1. This device may not cause harmful interference.
2. This device must accept any interference received; including interference that may cause undesired operation.

Register your product at www.CRU-DataPort.com

A7-100-0001 Rev. 2.1