

Data Express DE100 Ultra320 SCA

Removable SCSI Wide Ultra320 Drive Enclosure with 80-Pin SCA Interface

NOTES: For SCSI Ultra320 operation, the DE100 Ultra320 SCA requires Ultra320 drives, Ultra320 HBA, and Ultra320-compliant cabling (internal and external).

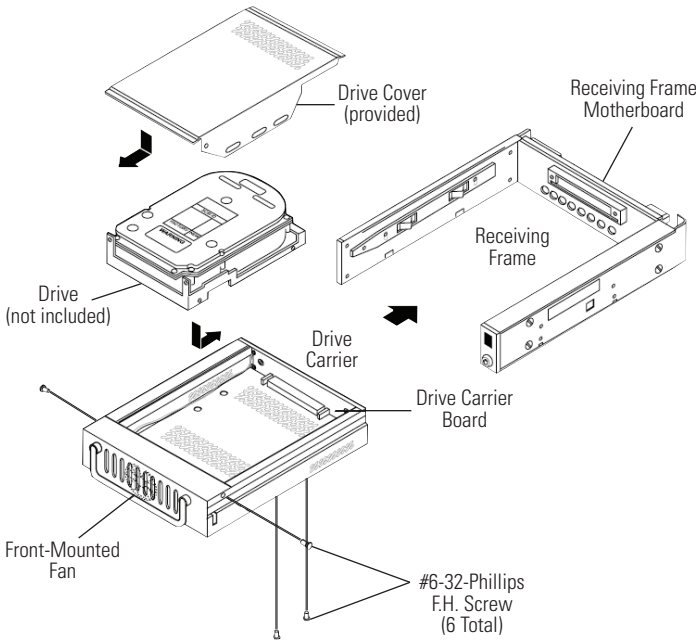
DE100 Ultra320 SCA can support Ultra320 implementations with a maximum of fifteen (15) Ultra320 drives (Ultra320 repeater may be required).

DE100 Ultra320 SCA receiving frames are indicated by their BLUE LED, while the Ultra320 DE100 carriers are indicated by the Ultra320 logo.



Drive Installation Assembly

Figure 1: Drive Installation Overview



Note: Installation of drive cover is necessary for proper fan air flow!

Receiving Frame Motherboard

Option Pin Connector (W1)

Remote Unit ID Selection: Pins 1-8 of this connector are provided for remote unit SCSI ID selection through the computer system. Remote ID selection requires that the unit ID switch located on the inside of the receiving frame be set to "0" (onboard ID selection is set with a switch located on the inside of the receiving frame).

Remote Activity LED (RLED): Pins 17 & 18 provide power for a remote LED device activity indicator.

Factory-Installed Jumpers: There are two factory-installed jumpers on W1. This jumpers are located on Pins 9 & 10 and 19 & 20.

NOTE: Do not remove these jumpers!

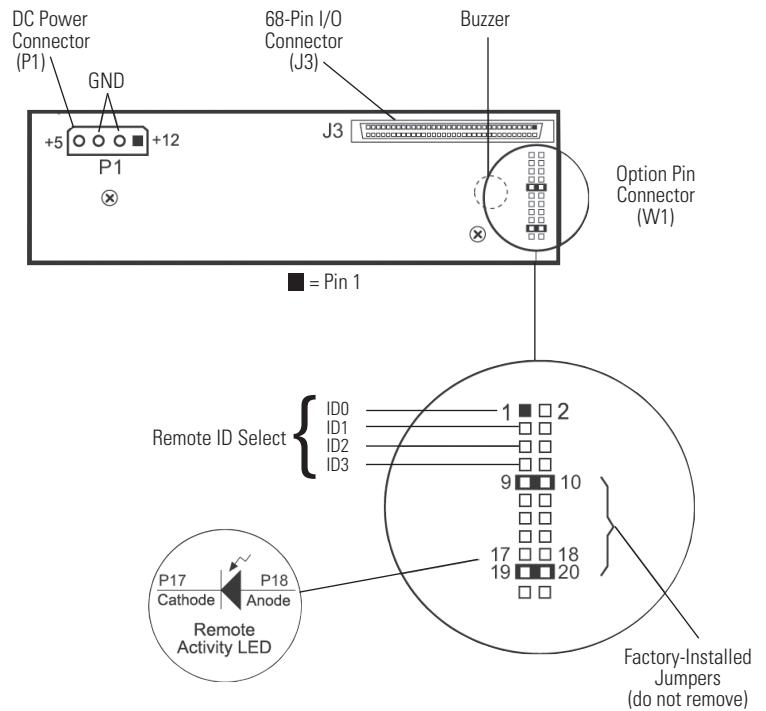


Figure 2: Receiving Frame Motherboard (rear view)

The Ultra320 DE100 drive carrier contains one (1) front-mounted drive carrier fan for enhanced heat dissipation. Should the fan ever fail, the unit ID number indicator (located on the front of the receiving frame) will display a flashing "F" (refer to figure below) and an audible alarm will sound.

In case of failure, the fan is easily field-replaceable. Refer to the full version of the DE100 Ultra320 SCA User's Guide for further information.

The DE100 Ultra320 SCA drive carrier contains one (1) front-mounted drive carrier fan for enhanced heat dissipation. Should the fan ever fail, the unit ID number indicator (located on the front of the receiving frame) will display a flashing "F" (refer to figure below) and an audible alarm will sound.

In case of failure, the fan is easily field-replaceable. Please contact CRU technical support at (800) 260-9800 ext.4.

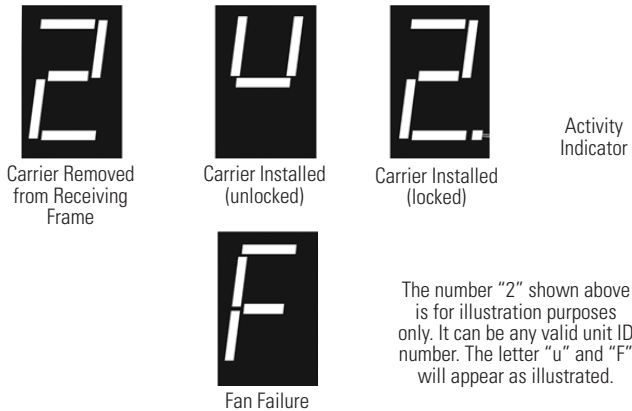


Figure 3: Receiving Frame Unit ID Number and Activity Display

Selecting the Unit ID Number: Use the alignment tool (provided) to select the ID number of the disk drive.

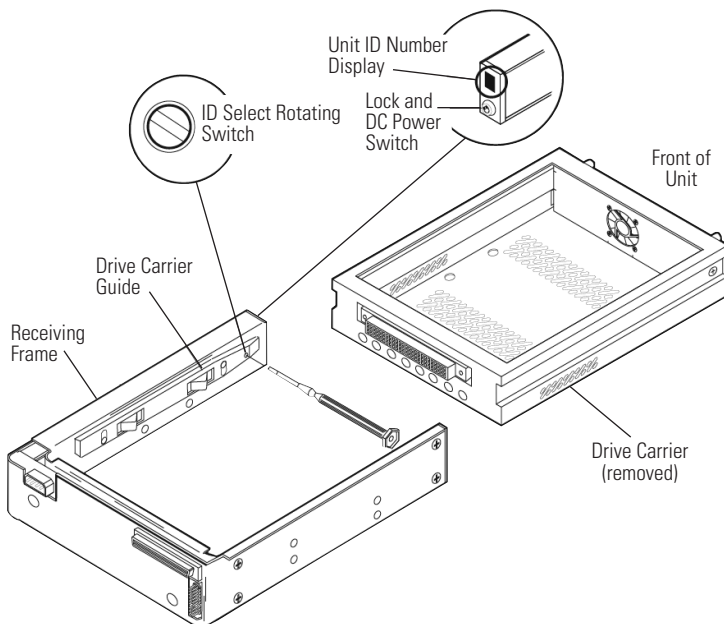


Figure 4: Unit ID Select Switch Location

NOTE: The lock on the Data Express receiving frame functions as a lock and a DC power switch for the carrier unit. The lock **MUST** be engaged (turned counterclockwise) in order to supply power to the carrier and installed drive unit.

Limited Product Warranty

CRU-DataPort (CRU) warrants the Data Express DE100 to be free of significant defects in material and workmanship for a period of five years from the original date of purchase. CRU's warranty is nontransferable and is limited to the original purchaser.

Limitation of Liability

The warranties set forth in this agreement replace all other warranties. CRU expressly disclaims all other warranties, including but not limited to, the implied warranties of merchantability and fitness for a particular purpose and non-infringement of third-party rights with respect to the documentation and hardware. No CRU dealer, agent or employee is authorized to make any modification, extension, or addition to this warranty. In no event will CRU or its suppliers be liable for any costs of procurement of substitute products or services, lost profits, loss of information or data, computer malfunction, or any other special, indirect, consequential, or incidental damages arising in any way out of the sale of, use of, or inability to use any CRU product or service, even if CRU has been advised of the possibility of such damages. In no case shall CRU's liability exceed the actual money paid for the products at issue. CRU reserves the right to make modifications and additions to this product without notice or taking on additional liability.

Certification

EMI Standard: FCC Part 15 Class B, CE
EMC Standard: EN55022, EN55024

FCC Certification

This device has been tested and found to comply with the limits for a Class B digital device, pursuant to Part 15 of the FCC rules. Operation is subject to the following two conditions:

1. This device may not cause harmful interference.
2. This device must accept any interference received; including interference that may cause undesired operation.

Register your product at www.CRU-DataPort.com and be automatically entered to win a free prize!

A7-100-0003 Rev. 3.0