

## Data Express DE110 Ultra ATA133

### Removable Ultra ATA133 Drive Enclosure



NOTES: For Ultra ATA133 (133MByte/sec) operation, an Ultra ATA133 controller and hard drive (s), and appropriate 40-pin, 80-conductor cable are required.

### Receiving Frame Motherboard

**Master/Slave Selection Jumper (ID0 & ID1)** - Master Drive designation (jumper is factory-installed on ID0). Change jumper position to Pins 3 & 4 (ID1) for Slave Drive designation.

Forces Master/Slave Drive configuration on the receiving frame, if jumper option on the drive itself is configured for Cable Selection (recommended configuration). Refer to section "Master/Slave Drive Section" for further information.

If using the Drive Select Method, this option is instead used to configure the unit ID display only (refer to section "Master/Slave Drive Section" for further information).

**Remote Activity LED (RLED)** - These pins provide power for a remote LED device activity indicator (Pin 13 = Cathode, Pin 14 = Anode).

**Factory Reserved Pins** - These pins are reserved for factory use only - Do not install jumper under any circumstances!

When the drive is jumpered as double select, the Master/Slave designation is handled by the Master/Slave Selection Jumper Option (ID0 & ID1) located on the receiving frame motherboard. If necessary, reconfigure jumper (jumper is factory-configured for Master Drive designation). Skip "Drive Select Method" and continue with the Installation process.

2. Drive Select Method: In most cases, the drive will be factory configured as a Master Drive using a jumper option on the drive itself. Reconfigure the jumper if necessary (refer to the drive manufacturer's documentation for exact Master/Slave jumper settings).

Reconfigure the jumper (jumper is factory installed on ID0 for Master Drive designation) on the receiving frame motherboard to match the hard drive.

**NOTE:** Since specifications (specifically, pin assignments) between drive manufacturers may vary, please refer to your drive manufacturer's documentation for exact information regarding Master/Slave and Cable Select configuration.

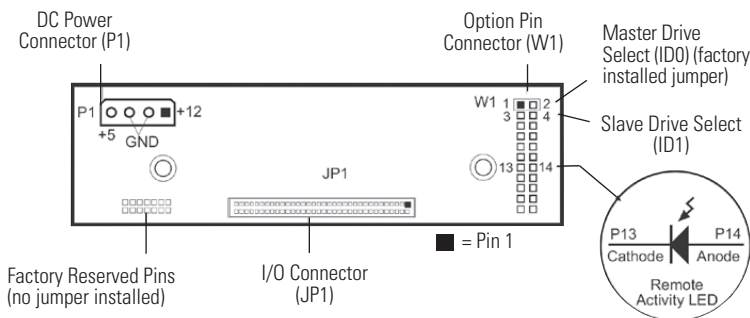


Figure 1: Receiving Frame Motherboard (Rear View)

### Master/Slave Drive Selection

There are two ways to set the Master/Slave Drive designation for the DE110 unit, as described below.

1. Cable Select Method (Recommended Method): In most cases, the drive will be factory configured as a Master Drive using a jumper option on the drive itself. CRU-DataPort, recommends reconfiguring the drive for Cable Select. This can be done by configuring the jumper on the drive itself (refer to the drive manufacturer's documentation for further information).

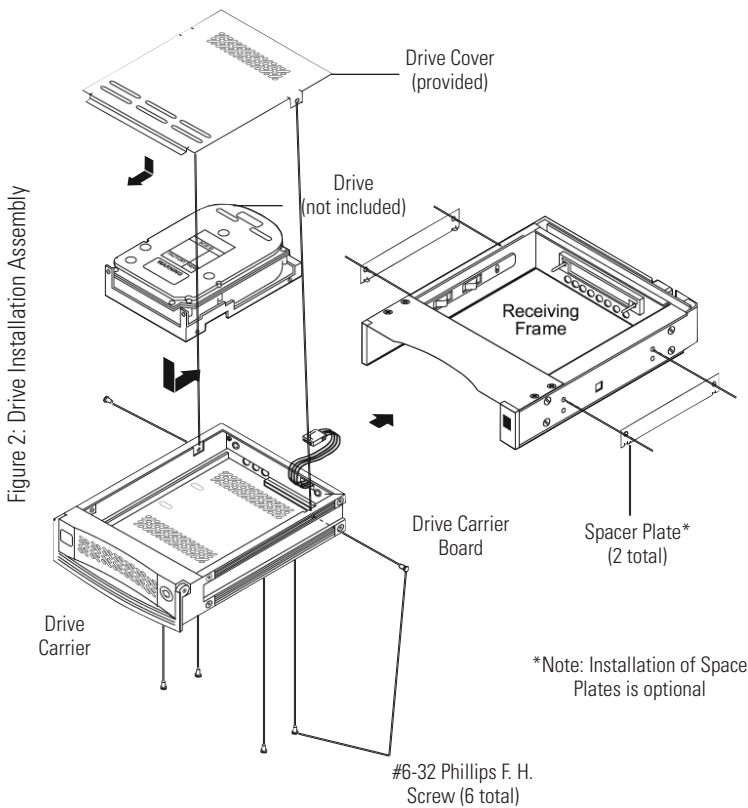
### Installation

1. Attach the DC power cable (from the drive carrier board) to the drive.
2. Carefully insert drive into the carrier. Slide the drive towards the Drive Carrier Board, so that the I/O connector on the drive mates with the connector on the Drive Carrier Board. Make sure that the DC power cable is not pinched. Turn the drive/carrier assembly over.
3. Fasten the drive into place with four (4) #6-32 Phillips Flat Hd. screws. Some drives may require minor adjustment before securing into carrier with screws.
4. Install the provided drive cover.

## Spacer Plates (Optional)

The DE110 is designed to fit most computer systems with standard 5.25" peripheral slots. The installation of the spacer plates (provided) may or may not be necessary.

**NOTE:** Depending on the computer system, spacer plates may be positioned on the receiving frame to utilize either top or bottom row of side-mounting holes.



## Unit ID Select Switch Settings

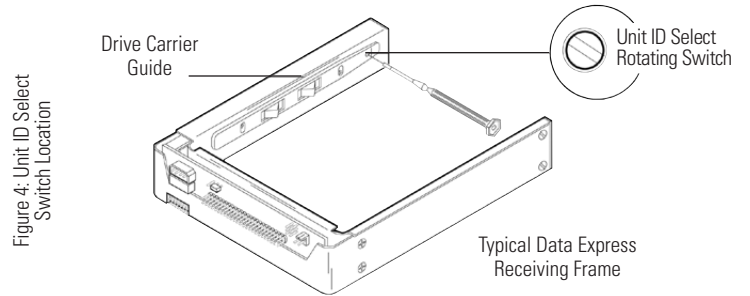
The following table lists the unit ID select switch settings and the valid AT/IDE unit numbers. Please note that all invalid switch settings have X's and result in a blank display in the receiving frame window.

Unit ID Select Position	0	1	2	3	4	5	6	7	8	9
Drive Selection	X	Master	Slave	X	X	Master	Slave	X	X	X
Unit ID Number Display	Blank	0	1	Blank	Blank	2	3	Blank	Blank	Blank

Figure 3: Unit ID Select Switch Settings

**NOTE:** The unit ID number display is for ID display purposes only (when using the "Drive Select Method"). The Master/Slave setting must still be set on the drive itself (refer to section "Master/Slave Drive Section" for further information).

**Selecting the Unit ID Number:** Use the alignment tool (provided) to select the ID number of the disk drive.



**NOTE:** The lock on the Data Express receiving frame functions as a lock and a DC power switch for the carrier unit. The lock MUST be engaged (turned counterclockwise) in order to supply power to the carrier and installed drive unit.

## Limited Product Warranty

CRU-DataPort (CRU) warrants the Data Express DE110 to be free of significant defects in material and workmanship for a period of five years from the original date of purchase. CRU's warranty is nontransferable and is limited to the original purchaser.

## Limitation of Liability

The warranties set forth in this agreement replace all other warranties. CRU expressly disclaims all other warranties, including but not limited to, the implied warranties of merchantability and fitness for a particular purpose and non-infringement of third-party rights with respect to the documentation and hardware. No CRU dealer, agent or employee is authorized to make any modification, extension, or addition to this warranty. In no event will CRU or its suppliers be liable for any costs of procurement of substitute products or services, lost profits, loss of information or data, computer malfunction, or any other special, indirect, consequential, or incidental damages arising in any way out of the sale of, use of, or inability to use any CRU product or service, even if CRU has been advised of the possibility of such damages. In no case shall CRU's liability exceed the actual money paid for the products at issue. CRU reserves the right to make modifications and additions to this product without notice or taking on additional liability.

## Certification

EMI Standard: FCC Part 15 Class B, CE  
EMC Standard: EN55022, EN55024

## FCC Certification

This device has been tested and found to comply with the limits for a Class B digital device, pursuant to Part 15 of the FCC rules. Operation is subject to the following two conditions:

1. This device may not cause harmful interference.
2. This device must accept any interference received; including interference that may cause undesired operation.

Register your product at [www.CRU-DataPort.com](http://www.CRU-DataPort.com)

A7-110-0002 Rev. 1.1