

DE110 SATA 3Gb/s Install Guide

Removable SATA 3Gb/s Drive Enclosure

NOTE:

DE110 SATA 3Gb/s receiving frames support both SATA 3Gb/s and DE110 SATA 3Gb/s carriers.

DE110 SATA 1.5Gb/s "universal" receiving frames support DE110 SATA 1.5Gb/s and DE110 PATA carriers.

For SATA 3Gb/s operation, a SATA 3Gb/s controller and SATA 3Gb/s drive are required.

Receiving Frame Motherboard

I/O Connector (JP1)

The input/output connector provides a standard interface for all SATA signals.

SATA Power Connector (P1)

15-Pin SATA power connector to accept DC power.

NOTE: If your system does not accommodate the SATA power connector, simply use the SATA-to-DC Power adapter cable (included in the accessory bag) to connect to your system's DC power.

Drive Activity LED Pin (JACT1)

Pin 1 is used for host connection (cable not included) to the Drive Activity LED. Some SATA PC systems/host controllers provide support for the Drive Activity LED feature (refer to the SATA PC system/host controller manufacturer's documentation for further information).

Factory Reserved Pins

These pins are reserved for factory use only - Do not install jumper under any circumstances!

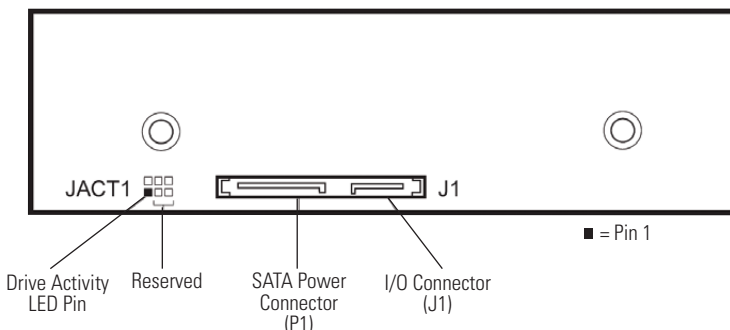


Figure 1: Receiving Frame Motherboard (rear view)



Installation

1. Remove the drive cover from the carrier.
2. Carefully insert the drive into the carrier. Slide the drive towards the Drive Carrier Board, so that the I/O connector on the drive mates with the connector on the Drive Carrier Board. Turn the drive/carrier assembly over.
3. Fasten the drive into place with four (4) #6-32 Phillips Flat Head screws. Some drives may require minor adjustment before securing into carrier with screws.
4. Install the drive cover and secure with two (2) #6-32 Phillips Flat Head screws (provided).

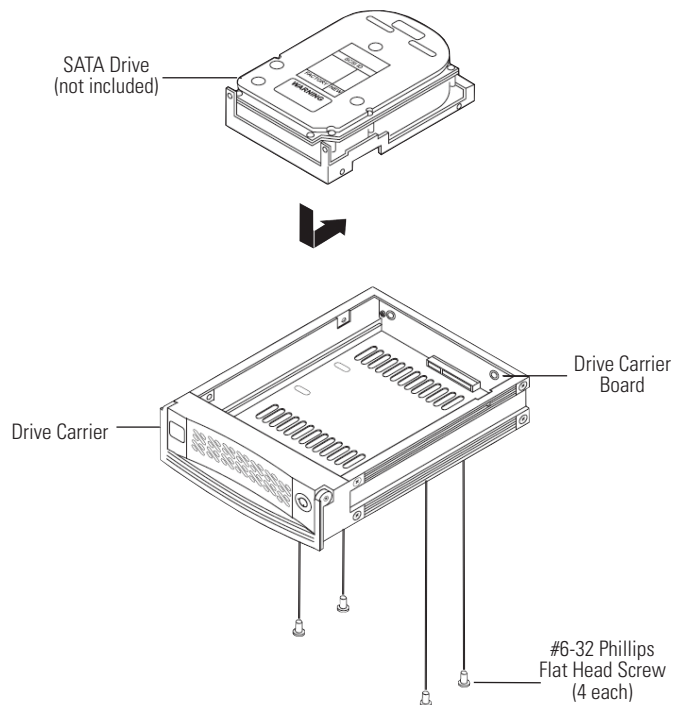


Figure 2: Drive Installation Assembly

Drive Activity LED

NOTE: Some SATA PC systems/host controllers provide support for the Drive Activity LED feature (refer to the SATA PC system/host controller manufacturer's documentation for further information).

The Drive Activity LED can be enabled via host connection (cable not included) to Pin 1 located on the Receiving Frame Motherboard (Figure 1).

Refer to the SATA PC system/host controller manufacturer's documentation for further information.

Spacer Plates (Optional)

The DE110 SATA 3Gb/s enclosure is designed to fit most computer systems with standard 5.25" peripheral slots. The installation of the spacer plates (provided) may or may not be necessary.

NOTE: Depending on the computer system, spacer plates may be positioned on the receiving frame to utilize either top or bottom row of side-mounting holes.

Unit ID Select Switch Settings

NOTE: The unit ID number display is for ID display purposes only.

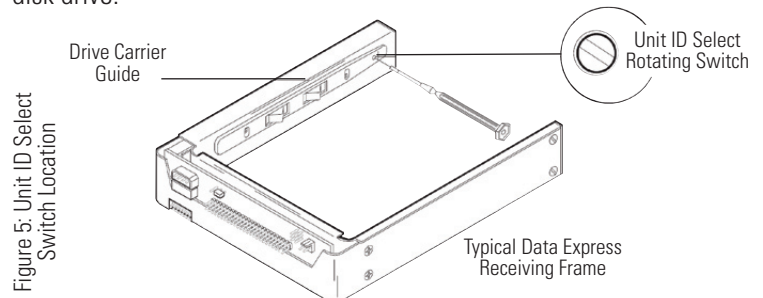
The following table lists the Unit ID Select Switch settings.

DISPLAY (HEX)	UNIT NUMBER (10)	DISPLAY (HEX)	UNIT NUMBER (10)
0	0	8	8
1	1	9	9
2	2	A	10
3	3	b	11
4	4	C	12
5	5	d	13
6	6	E	14
7	7	F	15

Figure 3: Unit ID Display Hex Reference

Selecting the Unit ID Number

Use the alignment tool (provided) to select the ID number of the disk drive.



NOTE: The lock on the Data Express serves as a power switch. It must be engaged (turned counterclockwise) for the Data Express to power up and function properly.

Limited Product Warranty

CRU-DataPort (CRU) warrants the Data Express DE110 to be free of significant defects in material and workmanship for a period of five years from the original date of purchase. CRU's warranty is nontransferable and is limited to the original purchaser.

Limitation of Liability

The warranties set forth in this agreement replace all other warranties. CRU expressly disclaims all other warranties, including but not limited to, the implied warranties of merchantability and fitness for a particular purpose and non-infringement of third-party rights with respect to the documentation and hardware. No CRU dealer, agent or employee is authorized to make any modification, extension, or addition to this warranty. In no event will CRU or its suppliers be liable for any costs of procurement of substitute products or services, lost profits, loss of information or data, computer malfunction, or any other special, indirect, consequential, or incidental damages arising in any way out of the sale of, use of, or inability to use any CRU product or service, even if CRU has been advised of the possibility of such damages. In no case shall CRU's liability exceed the actual money paid for the products at issue. CRU reserves the right to make modifications and additions to this product without notice or taking on additional liability.

Certification

EMI Standard: FCC Part 15 Class B, CE
EMC Standard: EN55022, EN55024

FCC Certification

This device has been tested and found to comply with the limits for a Class B digital device, pursuant to Part 15 of the FCC rules. Operation is subject to the following two conditions:

1. This device may not cause harmful interference.
2. This device must accept any interference received; including interference that may cause undesired operation.

Register your product at www.CRU-DataPort.com

A7-110-0007 Rev. 1