

# Data Express DE110 U320 68-Pin Install Guide

## Removable Ultra320 Drive Enclosure

**NOTES:** DE110 Ultra320 receiving frames are indicated by their AMBER LED, and the DE110 Ultra320 carriers are indicated by the Ultra320 logo.

For SCSI Ultra320 operation, the DE110 Ultra320 requires Ultra320 drives, Ultra320 HBA, and Ultra320-compliant cabling (internal and external).

Due to the fixed connector some hard drives will not fit into the DE110 U320 68-pin carrier. The DE100 U320 68-pin carrier will work with Seagate and Maxtor hard drives.



## Receiving Frame Motherboard

**I/O Connector (J3)** - The input/output connector provides a standard interface for all Ultra320 signals.

**DC Power Connector (P1)** - A standard 4-pin DC power connector is used to accept DC power.

### Option Pin Connector (W1)

**Remote Unit ID Selection:** Pins 1-8 of this connector are provided for SCSI ID selection through a remote ID selector switch. Remote ID selection requires that the unit ID switch located on the inside of the receiving frame be set to "0" (onboard ID selection is set with a switch located on the inside of the receiving frame as shown in Figure 4).

**Factory-Installed Jumpers:** There are two (2) jumpers factory-installed on W1 (Pins 9 & 10 and 21 & 22). DO NOT remove these jumpers!

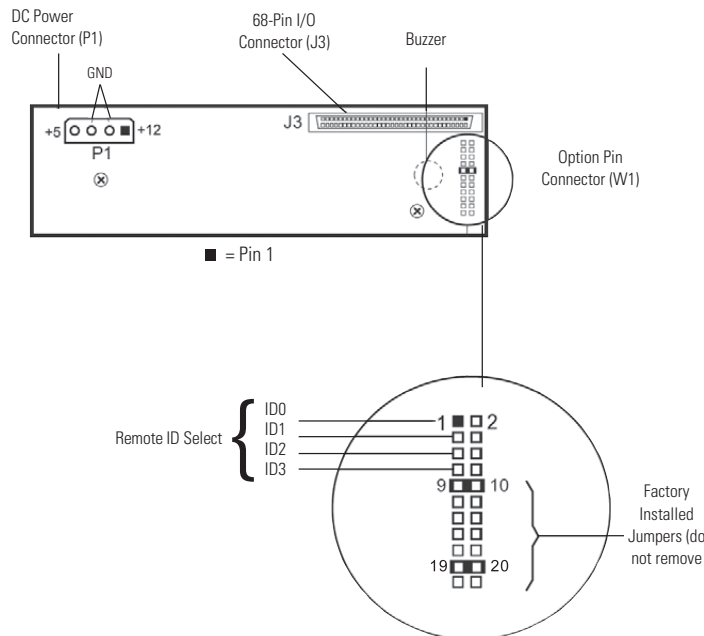


Figure 1: Receiving Frame Motherboard (Rear View)

## Installation

1. Carefully insert the drive into the carrier. Slide the drive towards the Drive Carrier Board, so that the I/O connector on the drive mates with the connector on the Drive Carrier Board. Turn the drive/carrier assembly over.
2. Fasten the drive into place with four (4) #6-32 Phillips Flat Head screws. Some drives may require minor adjustment before securing into carrier with screws.
3. Install the provided drive cover.

## Spacer Plates (optional)

The DE110 Ultra320 is designed to fit most computer systems with standard 5.25" peripheral slots. The installation of the spacer plates (provided) may or may not be necessary.

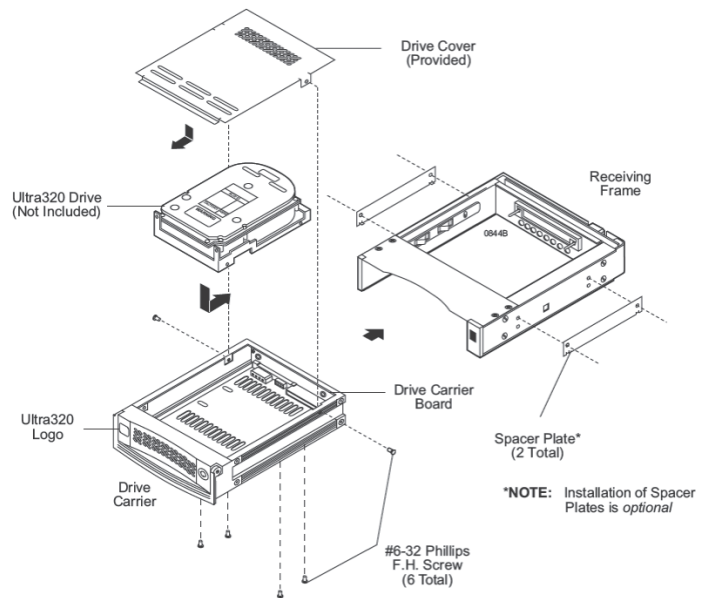


Figure 2: Drive Installation Assembly



Carrier Removed from Receiving Frame



Carrier Installed (unlocked)



Carrier Installed (locked)

Activity Indicator



Fan Failure

The number "2" shown above is for illustration purposes only. It can be any valid unit ID number. The letter "u" and "F" will appear as illustrated.

Figure 3: Receiving Frame Unit ID Number and Activity Display

In the event of a fan failure the display window will flash "F" and the SCSI ID number. For information to replace your fan please contact CRU-DataPort technical support at 800-260-9800 x 4 or email at [Support@CRU-DataPort.com](mailto:Support@CRU-DataPort.com).

**Selecting the Unit ID Number:** Use the alignment tool (provided) to select the ID number of the disk drive.

**NOTE:** The lock on the Data Express receiving frame functions as a lock and a DC power switch for the carrier unit. The lock **MUST** be engaged (turned counterclockwise) in order to supply power to the carrier and installed drive unit.

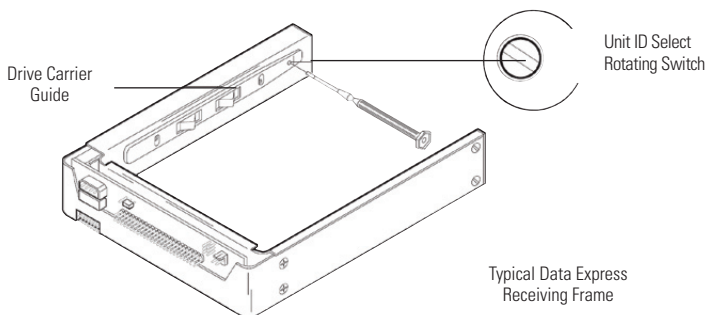


Figure 4: Unit ID Select Switch Location

## Limited Product Warranty

CRU-DataPort (CRU) warrants the Data Express DE110 to be free of significant defects in material and workmanship for a period of five years from the original date of purchase. CRU's warranty is nontransferable and is limited to the original purchaser.

## Limitation of Liability

The warranties set forth in this agreement replace all other warranties. CRU expressly disclaims all other warranties, including but not limited to, the implied warranties of merchantability and fitness for a particular purpose and non-infringement of third-party rights with respect to the documentation and hardware. No CRU dealer, agent or employee is authorized to make any modification, extension, or addition to this warranty. In no event will CRU or its suppliers be liable for any costs of procurement of substitute products or services, lost profits, loss of information or data, computer malfunction, or any other special, indirect, consequential, or incidental damages arising in any way out of the sale of, use of, or inability to use any CRU product or service, even if CRU has been advised of the possibility of such damages. In no case shall CRU's liability exceed the actual money paid for the products at issue. CRU reserves the right to make modifications and additions to this product without notice or taking on additional liability.

## Certification

EMI Standard: FCC Part 15 Class B, CE  
EMC Standard: EN55022, EN55024

## FCC Certification

This device has been tested and found to comply with the limits for a Class B digital device, pursuant to Part 15 of the FCC rules. Operation is subject to the following two conditions:

1. This device may not cause harmful interference.
2. This device must accept any interference receive including interference that may cause undesired operation.

**Register your product at [www.CRU-DataPort.com](http://www.CRU-DataPort.com)**

A7-110-0005 Rev. 3.0