

DE200 Ultra160 68-Pin Install Guide

Removable SCSI Wide Ultra160 Drive Enclosure with 68-Pin Interface

Notes: The DE200 Ultra160 68-Pin carrier supports most 68-pin SCSI Ultra160 interfaces, except Fujitsu Alegro 6 10K RPM drives (these drives have different spacing between the 68-pin and DC power connectors and will not mate with the drive carrier board).

For SCSI Ultra160 operation, the DE200 requires Ultra160 chassis and cabling.

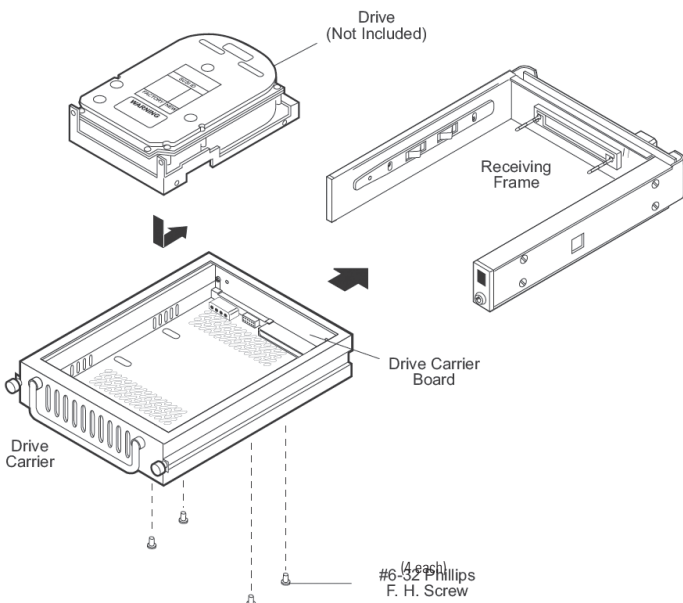


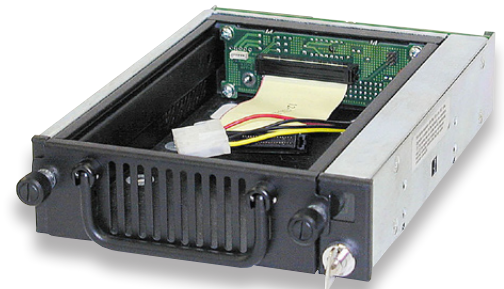
Figure 1: Drive Installation Assembly

Installation

1. Locate the ID select jumper positions on the drive, and remove any jumpers plugs installed (the DE200 Ultra160 68-Pin drive carrier board will plug into this section of the drive).
2. Carefully insert the drive into the carrier. Slide the drive towards the drive carrier board, so that the I/O, DC power, and ID select connectors on the drive mate with their respective connectors on the drive carrier board.

NOTE: The DE200 Ultra160 68-Pin carrier supports most 68-pin SCSI Ultra160 interfaces, except Fujitsu Alegro 6 10K RPM drives (these drives have different spacing between the 68-pin and DC power connectors and will not mate with the drive carrier board).

3. Fasten the drive into place with four (4) #6-32 Phillips Flat Hd. screws (provided).



Rear Panel

Remote Unit ID Selection: Pins 1-8 are provided for remote unit ID selection for the computer system or expansion chassis. Remote ID selection requires that the unit ID switch located on the inside of the receiving frame be set to "0" (onboard ID selection is set with a switch located on the inside of the receiving frame).

Enable Termination Power Connector (J4): This jumper is installed at the factory and enables termination power to/from the SCSI bus.

NOTE: Do not remove this jumper!

Factory-Installed Jumpers (J3): There are two (2) jumpers factory-installed on J3. One jumper is located on Pins 7 & 8, the other on Pins 9 & 10.

NOTE: Do not remove jumpers! (Remove only if attaching the DX1/200-SWC160/RH Isolator/Repeater Board. Refer to the full version of the User's Guide for further information.)

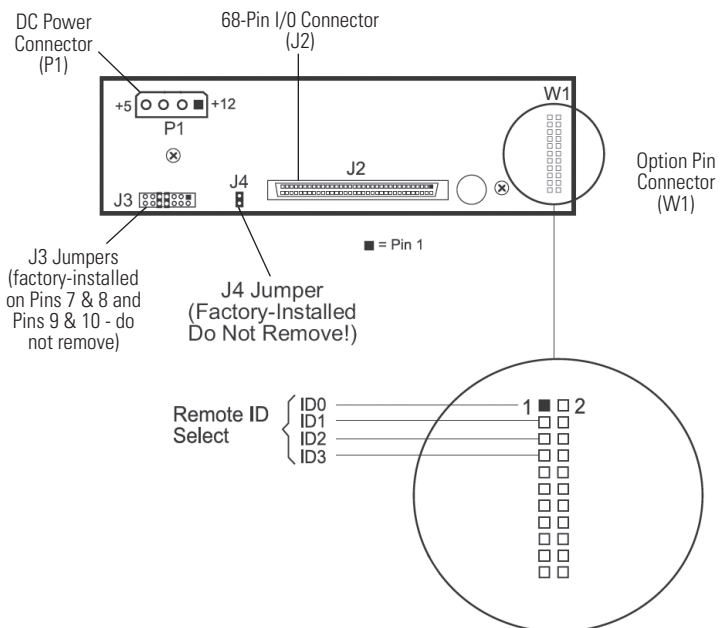
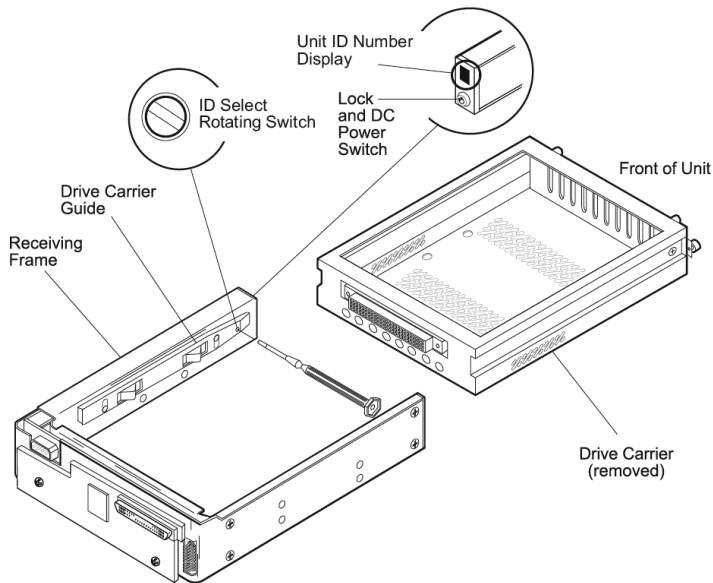


Figure 2: Receiving Frame Motherboard (rear view)

Selecting the Unit ID Number

Use the alignment tool (provided) to select the ID number of the disk drive.



NOTE: The lock on the Data Express receiving frame functions as a lock and a DC power switch for the carrier unit. The lock **MUST** be engaged (turned counterclockwise) in order to supply power to the carrier and installed drive unit.

IMPORTANT NOTICE - PLEASE READ!

If you plan to use this product in a system with earlier-technology SCSI (single-ended or Ultra2 LVD) devices and/or cables, CRU strongly recommends that the Data Express SCSI Ultra160 Repeater/Isolator Board be installed on the product's receiving frame.

All CRU SCSI removable enclosures are completely downward compatible and adhere strictly to SCSI specifications. However, the way LVD downward-compatibility works, if any one of the devices on the SCSI bus is only capable of single-ended operation, the entire bus will switch to single-ended mode

AND all of the earlier-technology SCSI specifications (cable lengths, termination types, device spacing, etc) must again apply for the system to function properly. Since exact SCSI specification tolerances may vary between manufacturers, system incompatibilities can occur. The CRU Data Express Repeater Board has been shown to minimize the effects of combining system components specified for different SCSI technologies and/or designed by different manufacturers.

For more information, please Contact your CRU representative for further details and ordering information at:

Technical Support (800) 260-9800 x1772

Sales (800) 260-9800 x1761

Limited Product Warranty

CRU-DataPort (CRU) warrants the Data Express DE200 to be free of significant defects in material and workmanship for a period of five years from the original date of purchase. CRU's warranty is nontransferable and is limited to the original purchaser.

Limitation of Liability

The warranties set forth in this agreement replace all other warranties. CRU expressly disclaims all other warranties, including but not limited to, the implied warranties of merchantability and fitness for a particular purpose and non-infringement of third-party rights with respect to the documentation and hardware. No CRU dealer, agent or employee is authorized to make any modification, extension, or addition to this warranty. In no event will CRU or its suppliers be liable for any costs of procurement of substitute products or services, lost profits, loss of information or data, computer malfunction, or any other special, indirect, consequential, or incidental damages arising in any way out of the sale of, use of, or inability to use any CRU product or service, even if CRU has been advised of the possibility of such damages. In no case shall CRU's liability exceed the actual money paid for the products at issue. CRU reserves the right to make modifications and additions to this product without notice or taking on additional liability.

Certification

EMI Standard: FCC Part 15 Class B, CE

EMC Standard: EN55022, EN55024

FCC Certification

This device has been tested and found to comply with the limits for a Class B digital device, pursuant to Part 15 of the FCC rules. Operation is subject to the following two conditions:

1. This device may not cause harmful interference.
2. This device must accept any interference received; including interference that may cause undesired operation.

Register your product at www.CRU-DataPort.com

A7-200-0001 Rev. 1