

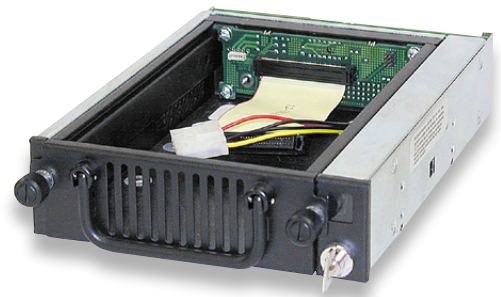
## DE200 Ultra320 68-Pin Install Guide

### Removable SCSI Wide Ultra320 Drive Enclosure

**Notes:** For SCSI Ultra320 operation, the DE200 Ultra320 requires Ultra320 drives, Ultra320 HBA, and Ultra320-compliant cabling (internal and external).

DE200 Ultra320 can support Ultra320 implementations with a maximum of fifteen (15) Ultra320 drives (Ultra320 repeater may be required).

DE200 Ultra320 receiving frames are indicated by their BLUE LED, while the DE200 Ultra320 carriers are indicated by the Ultra320 logo.



### Receiving Frame Motherboard

**Remote Unit ID Selection:** Pins 1-8 are provided for remote unit ID selection for the computer system or expansion chassis. Remote ID selection requires that the unit ID switch located on the inside of the receiving frame be set to "0" (onboard ID selection is set with a switch located on the inside of the receiving frame; see figure 3).

Enable Termination Power Connector (J4): This jumper is installed at the factory and enables termination power to/from the SCSI bus.

**NOTE:** Do not remove this jumper!

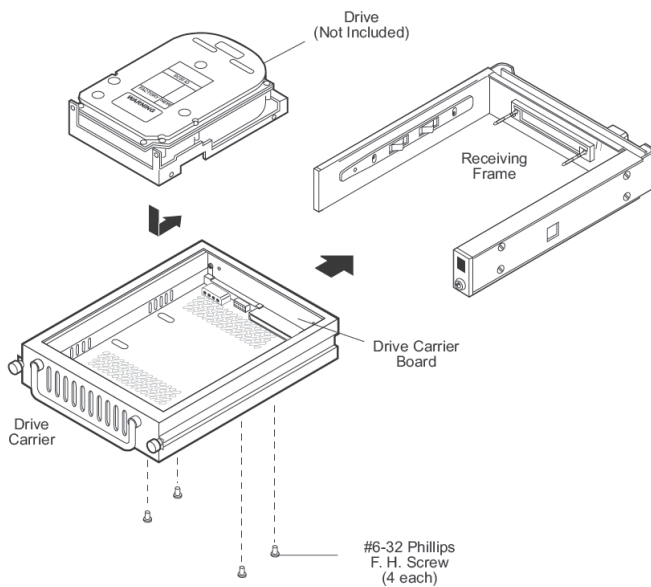


Figure 1: Drive Installation Assembly

### Installation

1. Locate the ID select jumper positions on the drive, and remove any jumper plugs installed (the drive carrier board will plug into this section of the drive).
2. Carefully insert the drive into the carrier. Slide the drive towards the drive carrier board, so that the I/O, DC power, and ID select connectors on the drive mate with their respective connectors on the drive carrier board.
3. Fasten the drive into place with four (4) #6-32 Phillips Flat Hd. screws (provided).

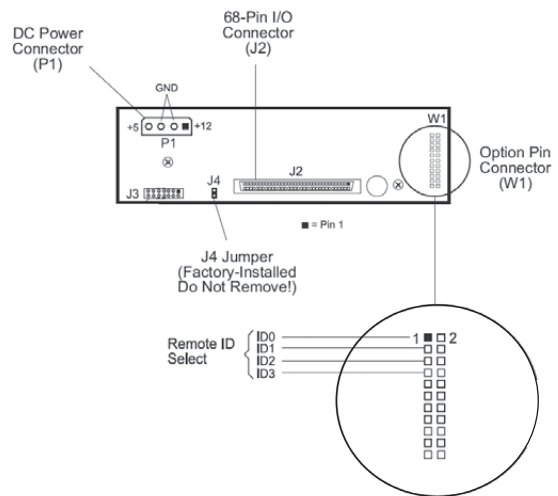


Figure 2: Receiving Frame Motherboard (rear view)

## Selecting the Unit ID Number

Use the alignment tool (provided) to select the ID number of the disk drive.

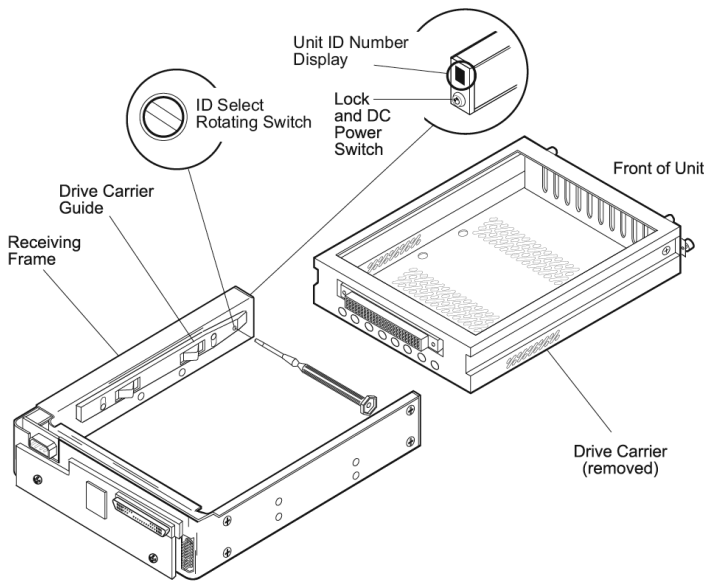


Figure 3: Unit ID Select Switch Location

**NOTE:** The lock on the Data Express receiving frame functions as a lock and a DC power switch for the carrier unit. The lock **MUST** be engaged (turned counterclockwise) in order to supply power to the carrier and installed drive unit.

## Product Warranty

CRU-DataPort (CRU) warrants the Data Express DE200 to be free of significant defects in material and workmanship for a period of five years from the original date of purchase. CRU's warranty is nontransferable and is limited to the original purchaser.

## Limitation of Liability

The warranties set forth in this agreement replace all other warranties. CRU expressly disclaims all other warranties, including but not limited to, the implied warranties of merchantability and fitness for a particular purpose and non-infringement of third-party rights with respect to the documentation and hardware. No CRU dealer, agent or employee is authorized to make any modification, extension, or addition to this warranty. In no event will CRU or its suppliers be liable for any costs of procurement of substitute products or services, lost profits, loss of information or data, computer malfunction, or any other special, indirect, consequential, or incidental damages arising in any way out of the sale of, use of, or inability to use any CRU product or service, even if CRU has been advised of the possibility of such damages. In no case shall CRU's liability exceed the actual money paid for the products at issue. CRU reserves the right to make modifications and additions to this product without notice or taking on additional liability.

## Certification

EMI Standard: FCC Part 15 Class B, CE  
 EMC Standard: EN55022, EN55024

## FCC Certification

This device has been tested and found to comply with the limits for a Class B digital device, pursuant to Part 15 of the FCC rules. Operation is subject to the following two conditions:

1. This device may not cause harmful interference.
2. This device must accept any interference received; including interference that may cause undesired operation.

Register your product at [www.CRU-DataPort.com](http://www.CRU-DataPort.com)

A7-200-0005 Rev. 1