

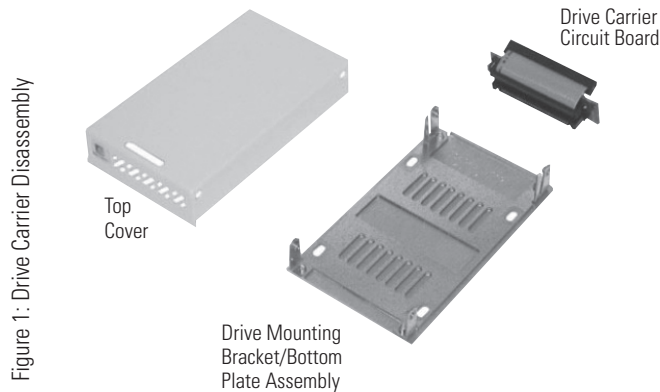
DE50 IDE Install Guide

Removable Ultra ATA 100 Drive Enclosure

NOTE: For Ultra ATA100 (100MByte/sec) operation, an Ultra ATA100 controller and hard drive(s), and appropriate 40-pin, 80-conductor cable are required.



Drive Carrier Installation



1. Loosen and remove the four (4) M3 Phillips Flat Hd. screws located on the sides of the drive carrier unit. Save these screws for Step 6.
2. Since the drive carrier unit is shipped pre-assembled, disassemble the drive carrier unit into its three (3) main components (Figure 1).
3. Install the Drive Carrier Circuit Board (cable-side down) onto the drive by attaching the I/O cable on the board to the drive.
4. Set Master/Slave drive designation. There are two ways to set the Master/Slave drive designation for the DE50 unit, as described below.

NOTE: The information below is based on typical drive specifications. Since specifications (specifically, pin assignments) between drive manufacturers may vary, please refer to your drive manufacturer's documentation for information regarding Master/Slave configuration.

Cable Select Method (Recommended Method)

In most cases, there is no need to reconfigure the jumper on JMP1 located on the rear of the drive carrier circuit board. A factory-installed jumper on Pins B & D forces the drive into a Cable Select configuration (Figure 2).

With Cable Selection, the Master/Slave Drive designation is handled by the Master/Slave Selection Jumper Option (J2) on the receiving frame motherboard. If necessary, reconfigure jumper (factory-configured jumper is for Master Drive designation). Skip section "Drive Select Method" and continue with Step 5 of the Installation process.

Drive Select Method

In most cases, this method forces the drive into either a Master or Slave Drive configuration. This method will override any configuration of the Master/Slave Selection Jumper Option (J2) on the receiving frame motherboard. The J2 jumper option is instead used to configure the unit ID display.

Master Drive

Remove the jumper from JMP1. Typically, no jumper installed on JMP1 forces the carrier into a Master Drive configuration (Figure 2).

Leave the J2 jumper option (on the receiving frame motherboard) as is for Master Drive ID display purposes (factory-configured jumper is for Master Drive designation).

Slave Drive

Install the jumper on JMP1 Pins C & D (Figure 2). Typically, a jumper installed on Pins C & D forces the drive into a Slave Drive configuration (refer to the drive manufacturer's documentation for exact master/slave jumper settings and reconfigure the jumper as necessary).

Configure the J2 jumper option for Slave Drive ID display purposes.

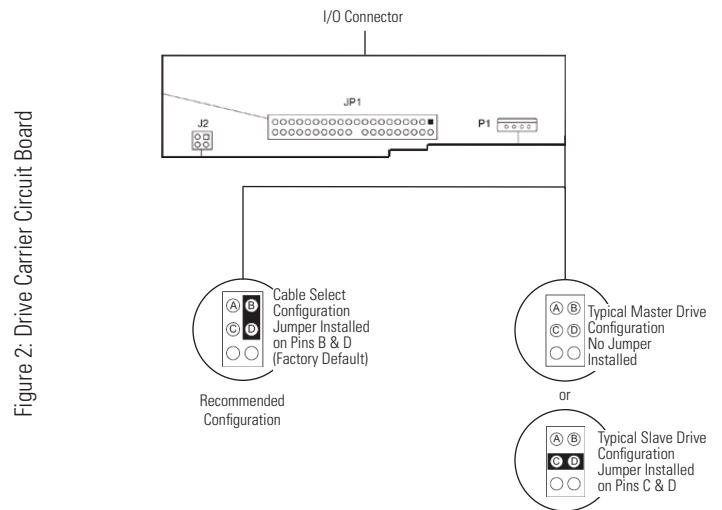


Figure 2: Drive Carrier Circuit Board

5. Carefully turn the drive/circuit board assembly upside-down (drive is bottom-mounted into bracket). Install the drive mounting bracket and secure with four (4) M3 screws (provided).

NOTE: Make sure that the drive circuit board is properly seated in the mounting bracket slot before tightening screws.

6. Carefully insert the drive/bracket assembly into the top cover and secure with the four (4) M3 screws (saved from Step 1).

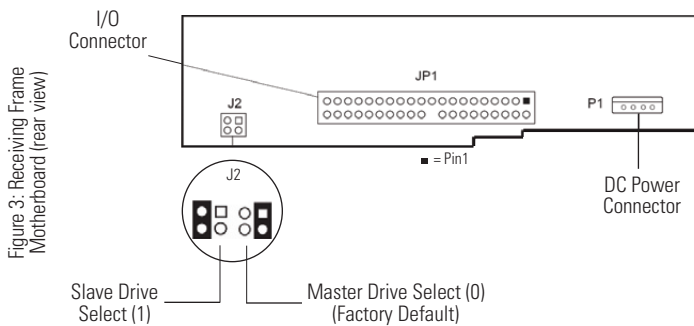
Master/Slave J2 Jumper Option on the Receiving Frame Motherboard (Figure 3)

Master/Slave Selection Jumper (J2)

Master Drive configuration (Factory Default). Change jumper position to set Slave Drive configuration.

Forces master/slave drive configuration on the receiving frame if JMP1 jumper option (located on the drive carrier circuit board) is configured to Cable Select.

If using the Drive Select Method, this option is instead used to configure the unit ID display (refer to Figure 4 for further information).



For 5.25" peripheral slots, the 5.25" adapter bracket must be installed. The receiving frame is side-mounted into the adapter bracket using four (4) M3 Phillips Pan Head screws (provided).

With the drive carrier locked in place inside the receiving frame, install the DE50 into the 5.25" drive opening in the computer or expansion chassis. Use the appropriate guides to position the DE50 unit, and fasten it into place with four (4) self-tapping screws (included). Mounting holes are provided on each side and the bottom of the adapter bracket to accommodate a variety of mounting configurations. Use the mounting holes which best suit the computer or expansion chassis configuration.

Unit ID Select Switches Settings

The following table lists the unit ID select switch settings and the valid AT/IDE unit numbers. Please note that all invalid switch settings have shaded boxes and result in a blank display in the receiving frame window.

Unit ID Select Position	0	1	2	3	4	5	6	7	8	9
Unit ID Select Position	X	Master	Slave	X	X	Master	Slave	X	X	X
Unit ID Number Display	Blank	0	1	Blank	Blank	2	4	Blank	Blank	Blank

Figure 4: Unit ID Select Switch Settings

NOTE: The unit ID number display is for ID display purposes only (when using the Drive Select Method). The master/slave setting must still be set on the DE50 unit itself (refer to Page 1 for further information).

Selecting the Unit ID Number

Use the alignment tool (provided) to select the ID number of the disk drive.

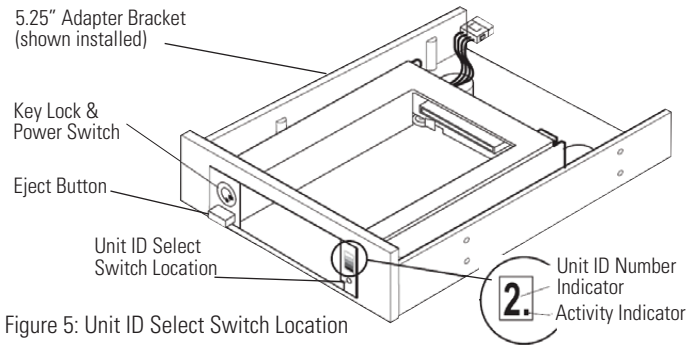


Figure 5: Unit ID Select Switch Location

NOTE: The lock on the Data Express receiving frame functions as a lock and a DC power switch for the carrier unit. The lock **MUST** be engaged (turned counterclockwise) in order to supply power to the carrier and installed drive unit.

Limited Product Warranty

CRU-DataPort (CRU) warrants the Data Express DE50 to be free of significant defects in material and workmanship for a period of three years from the original date of purchase. CRU's warranty is nontransferable and is limited to the original purchaser.

Limitation of Liability

The warranties set forth in this agreement replace all other warranties. CRU expressly disclaims all other warranties, including but not limited to, the implied warranties of merchantability and fitness for a particular purpose and non-infringement of third-party rights with respect to the documentation and hardware. No CRU dealer, agent or employee is authorized to make any modification, extension, or addition to this warranty. In no event will CRU or its suppliers be liable for any costs of procurement of substitute products or services, lost profits, loss of information or data, computer malfunction, or any other special, indirect, consequential, or incidental damages arising in any way out of the sale of, use of, or inability to use any CRU product or service, even if CRU has been advised of the possibility of such damages. In no case shall CRU's liability exceed the actual money paid for the products at issue. CRU reserves the right to make modifications and additions to this product without notice or taking on additional liability.

Certification

EMI Standard: FCC Part 15 Class B, CE
EMC Standard: EN55022, EN55024

FCC Certification

This device has been tested and found to comply with the limits for a Class B digital device, pursuant to Part 15 of the FCC rules. Operation is subject to the following two conditions:

1. This device may not cause harmful interference, and
2. This device must accept any interference received; including interference that may cause undesired operation.

Register your product at www.CRU-DataPort.com

A7-050-0001 Rev 2.1