

Data Express DE75 SATA Install Guide

Removable SATA Drive Enclosure

Notes: Existing PATA DE75 carriers and new SATA DE75 carriers will both work in SATA DE75 “universal” receiving frames. “Universal” receiving frames are indicated by their BLUE LED.

SATA DE75 carriers will only work in SATA DE75 “universal” receiving frames (indicated by their BLUE LED). Existing PATA DE75 receiving frames are indicated by their GREEN LED.

For SATA (1.5 Gb/s) operation, a SATA controller and appropriate SATA cable are required.

Receiving Frame Motherboard

Option Pins (JPB1)

Factory-Installed Jumper (Pins 1 & 2) – Factory-installed jumper. DO NOT REMOVE!

Factory-Installed Jumper (Pins 15 & 17) – Factory-installed jumper. DO NOT REMOVE!

Remote Activity LED (RLED) – These pins provide a remote LED device activity indicator (Pin 13=Cathode, Pin 14-Anode).

Factory Reserved Pins - These pins are reserved for factory use only – Do not install jumper under any circumstances!

Activity Indicator – Pin 13 is used for host connection (cable not included) to the Activity Indicator.

Some SATA host controllers provide support for the Activity Indicator feature (refer to the SATA host controller manufacturer’s documentation for further information).



Drive Installation

- Carefully insert the drive into the carrier. Slide the drive towards the Drive Carrier Board, so that the I/O connector on the drive mates with the connector on the Drive Carrier Board. Turn the drive/carrier assembly over.
- Fasten the drive into place with four #6-32 Phillips Flat Hd. Screws. Some drives may require minor adjustment before securing into carrier with screws.
- Install the provided drive cover. Insert the front end of the cover first and then slide the cover towards the rear of the carrier. Secure drive cover with two #4-40 Phillips Flat Hd. Screws.

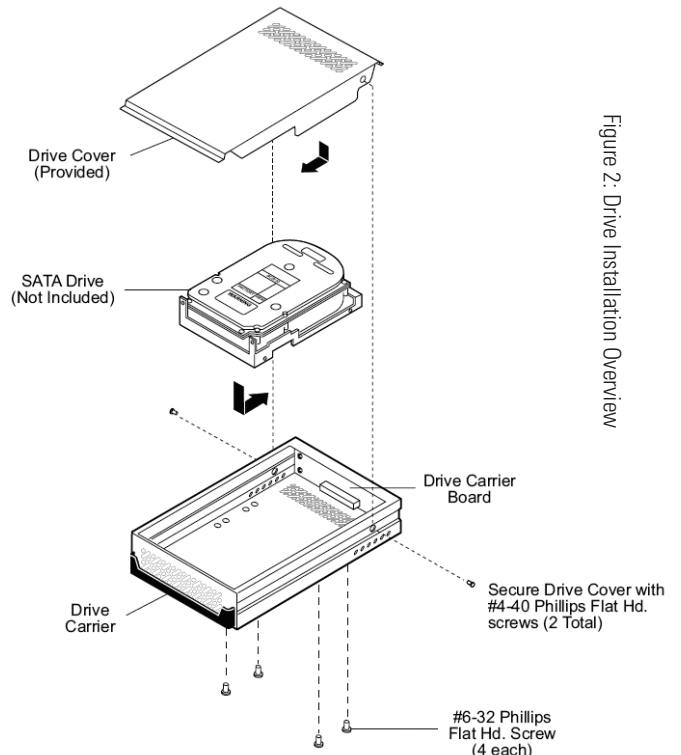


Figure 2: Drive Installation Overview

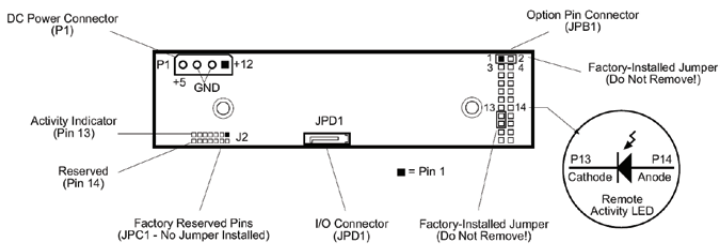


Figure 1: Receiving Frame Motherboard (rear view)

Unit ID Select Switch Settings

Note: The unit ID number display is for ID display purposes only.

The following table lists the unit ID select switch settings.

DISPLAY (HEX)	UNIT NUMBER (10)	DISPLAY (HEX)	UNIT NUMBER (10)
0	0	8	8
1	1	9	9
2	2	A	10
3	3	b	11
4	4	c	12
5	5	d	13
6	6	E	14
7	7	F	15

Table 1: Unit ID Hex Reference

Selecting the Unit ID Number: Use the alignment tool (provided) to select the ID number of the disk drive.

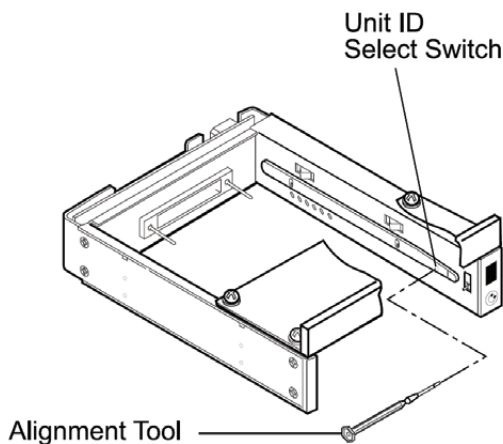


Figure 3: Unit ID Select Switch Location

NOTE: The lock on the Data Express serves as a power switch. It must be engaged (turned counterclockwise) for the Data Express to power up and function properly.

Limited Product Warranty

CRU-DataPort (CRU) warrants the Data Express DE75 to be free of significant defects in material and workmanship for a period of five years from the original date of purchase. CRU's warranty is nontransferable and is limited to the original purchaser.

Limitation of Liability

The warranties set forth in this agreement replace all other warranties. CRU expressly disclaims all other warranties, including but not limited to, the implied warranties of merchantability and fitness for a particular purpose and non-infringement of third-party rights with respect to the documentation and hardware. No CRU dealer, agent or employee is authorized to make any modification, extension, or addition to this warranty. In no event will CRU or its suppliers be liable for any costs of procurement of substitute products or services, lost profits, loss of information or data, computer malfunction, or any other special, indirect, consequential, or incidental damages arising in any way out of the sale of, use of, or inability to use any CRU product or service, even if CRU has been advised of the possibility of such damages. In no case shall CRU's liability exceed the actual money paid for the products at issue. CRU reserves the right to make modifications and additions to this product without notice or taking on additional liability.

Certification

EMI Standard: FCC Part 15 Class B, CE
EMC Standard: EN55022, EN55024

FCC Certification

This device has been tested and found to comply with the limits for a Class B digital device, pursuant to Part 15 of the FCC rules. Operation is subject to the following two conditions:

1. This device may not cause harmful interference.
2. This device must accept any interference received; including interference that may cause undesired operation.

Register your product at www.CRU-DataPort.com

A7-075-0001 Rev. 1.0