

Data Express DE75 SAS/SATA Install Guide



Removable SAS/SATA Drive Enclosure

The DE75 SAS/SATA is a low-profile removable hard drive enclosure designed to provide durable and reliable mounting for one (1) 3.5" low profile Serial ATA (SATA) 3.0 Gb/s or Serial Attached SCSI (SAS) drive, within a standard or undersized 5.25" half-height peripheral expansion slot. The low profile filler bracket can be removed for space-constrained mounting.

Note: The DE75 SAS/SATA frame is not a universal frame and does not support the DE75 IDE carrier. It is backwards compatible and will support the DE75 SATA 1.5 Gb/s carriers.

Receiving Frame Board

Factory-Installed Jumper (Pins 15 & 17) – Factory-installed jumper. DO NOT REMOVE!

Remote Activity LED (RLED) – These pins provide a remote LED device activity indicator (Pin 13=Cathode, Pin 14-Anode).

Frame Data Connectivity – For SATA operation the SATA data cable must be connected to the SAS/SATA Host 1 Connector. SATA hard drives do not support the SAS Host 2 Connector. SAS hard drives can use either SAS Host 1 Connector or SAS Host 2 Connector. The DE75 supports the SAS dual host feature for fail over protection.

Note: SAS hard drives require a SAS host. SAS hard drives will not work with a SATA host.

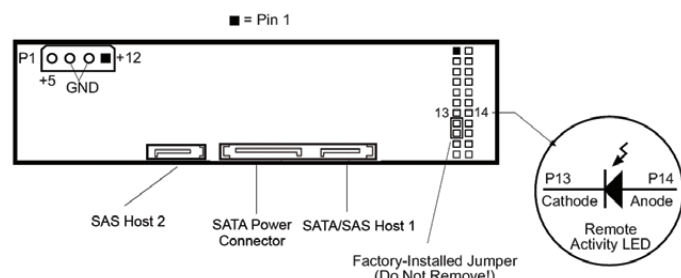


Figure 1: Receiving Frame Board (rear view)

Frame Installation

For SATA operation connect a SATA data cable to the SATA/SAS host 1 connector.

For SAS operation connect a SATA/SAS data cable to either SATA/SAS Host 1 or SAS Host 2 connector.

For dual host capabilities connect SATA/SAS data cables to SATA/SAS Host 1 and SAS Host 2.

Connect SATA power or ATX power to the power connectors on the back of the DE75. The DE75 will support either ATX or SATA power.

Slide the frame into an available drive bay and secure the frame.

Drive Installation

- Carefully insert the drive into the carrier. Slide the drive towards the Drive Carrier Board, so that the I/O connector on the drive mates with the connector on the Drive Carrier Board. Hold the drive in place, then turn the drive/carrier assembly over.
- Fasten the drive into place with the four provided #6-32 Phillips Under Cut Flat Hd. Screws. Some drives may require minor adjustment to position before securing into carrier with screws.
- Install the provided drive cover. Insert the front end of the cover first and then slide the cover towards the rear of the carrier. Secure drive cover with the two provided #4-40 Phillips Under Cut Flat Hd. Screws.

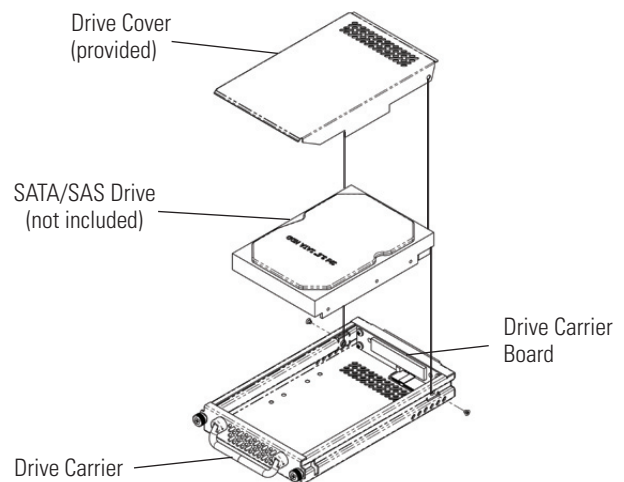


Figure 2: Drive Installation Overview

Unit ID Select Switch Settings

Note: The unit ID number display is for ID display purposes only.

The following table lists the unit ID select switch settings.

DISPLAY (HEX)	UNIT NUMBER (10)	DISPLAY (HEX)	UNIT NUMBER (10)
0	0	8	8
1	1	9	9
2	2	A	10
3	3	b	11
4	4	C	12
5	5	d	13
6	6	E	14
7	7	F	15

Table 1: Unit ID Hex Reference

Selecting the Unit ID Number: Use the alignment tool (provided) to select the ID number of the disk drive.

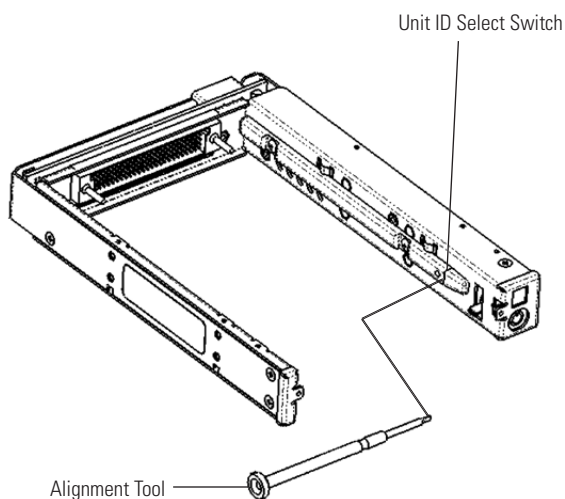


Figure 3: Unit ID Select Switch Location

NOTE: The lock on the Data Express serves as a power switch. It must be engaged (turned counterclockwise) for the Data Express to power up and function properly.

Package Contents

- 1 - Key set
- 1 - Alignment tool
- 2 - 4-40 x 1/8" Flathead screws (carrier cover)
- 4 - 6-32 x 1/4" Flathead screws (drive mounting)
- 4 - M3 x 6mm Trusshead screws (frame mounting)

Limited Product Warranty

CRU-DataPort (CRU) warrants the Data Express DE75 to be free of significant defects in material and workmanship for a period of five years from the original date of purchase. CRU's warranty is nontransferable and is limited to the original purchaser.

Limitation of Liability

The warranties set forth in this agreement replace all other warranties. CRU expressly disclaims all other warranties, including but not limited to, the implied warranties of merchantability and fitness for a particular purpose and non-infringement of third-party rights with respect to the documentation and hardware. No CRU dealer, agent or employee is authorized to make any modification, extension, or addition to this warranty. In no event will CRU or its suppliers be liable for any costs of procurement of substitute products or services, lost profits, loss of information or data, computer malfunction, or any other special, indirect, consequential, or incidental damages arising in any way out of the sale of, use of, or inability to use any CRU product or service, even if CRU has been advised of the possibility of such damages. In no case shall CRU's liability exceed the actual money paid for the products at issue. CRU reserves the right to make modifications and additions to this product without notice or taking on additional liability.

Register your product at www.CRU-DataPort.com.

A7-075-0005 Rev. 1.0