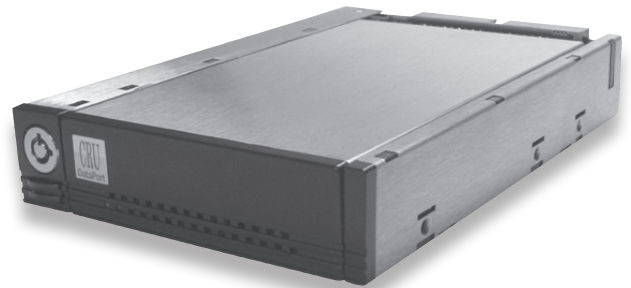


DataPort 25 Dual Port SAS Install Guide

The DataPort 25 Dual Port SAS is a high-performance small form factor enclosure designed to make any capacity 2.5" SAS or SATA HDD removable from a 3.5" peripheral bay. SAS provides the highest levels of performance and reliability. The DataPort 25 Dual Port SAS can support Dual Port SAS operation with a SAS drive. The DataPort 25 Dual Port SAS can also support a single SATA drive or when used with the DataPort 25 dual drive SATA carrier, two SATA drives.



Package Contents

- 1 - DataPort 25 SAS frame assembly
- 1 - DataPort 25 SAS carrier assembly
- 4 - M3 x 4mm Phillips pan-head screws for hard drive mounting
- 4 - M3 x 5mm Phillips pan-head screws for frame mounting with rails
- 4 - M3 x 4mm Phillips pan-head screws for frame mounting in case
- 2 - M3 x 4mm Phillips pan-head screws for carrier cover mounting
- 2 - Keys for lock

Installing the Frame Into Your Computer

1. Locate an available external 3.5" drive bay and remove the front bezel.
 2. To mount the frame assembly in the drive bay:
 - a. Check the drive bay to see if mounting rails are required (they should be provided by your computer system manufacturer.) If required, install one on each side of the frame. Then slide the frame in the computer and check that it is secure.
 - b. If mounting rails are not required, attach the frame directly to the PC case using the screws provided. Either the side or bottom mount holes on the frame may be used.
- The Activity LED is normally on when the hard disk drive is ready and will flash during drive activity.
3. Locate and connect an available 4-pin power connector (the type used for floppy drives) to the back of the DataPort 25 frame. For SAS drive operation, 12 volt power is required.

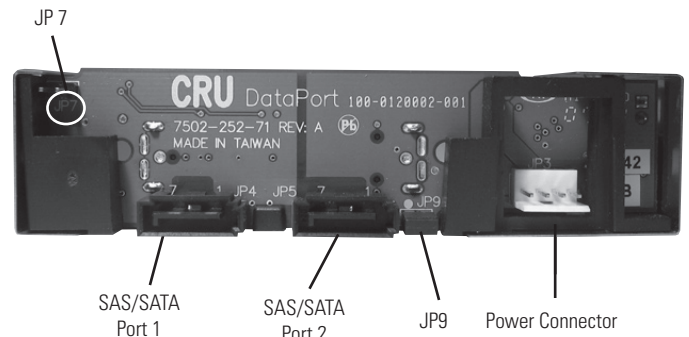


Figure 1: Back of Frame

4. Connect the data cables to the rear of the frame. See Operations section for details on proper cabling.

Your frame assembly is complete.

Installing a Hard Disk Drive in Your DataPort 25 Carrier

1. Remove the two screws that hold the cover and slide the cover off.

Note: Do NOT use screws longer than those supplied as the hard disk drive will be damaged.
2. Connect the hard drive to the connector on the circuit board. Use the provided screws to secure the hard drive.

Note: The DataPort 25 dual port carrier supports SAS, SATA and SATA Flash drives up to 15.4 mm in height.

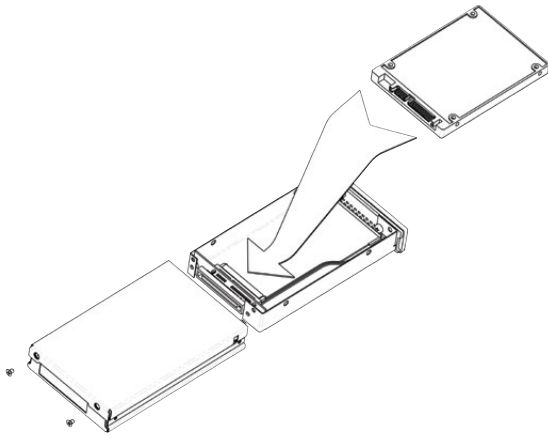


Figure 2: Installing Hard Drive

3. Slide the cover back on to the carrier and secure it with the cover screws.
4. Once the carrier has been seated in the frame the key lock must be turned 90 degrees (horizontal) to engage the lock and enable the power.

Operation

Warning! Please do not touch the connector on the back of the carrier. Internal damage could result from electrostatic discharge.

The lock on the DataPort 25 serves as a power switch. It must be engaged for the DataPort 25 to power up and function properly.

SATA Operation

The DataPort 25 dual port SAS frame can be used with the DataPort 25 SATA carrier with SATA hard drives.

For Serial ATA operation, the lower drive is supported by the left SATA connector on the rear of the frame (JP4). The upper drive is supported by the right SATA connector on the rear of the frame (JP5).

SAS Operation

The DataPort 25 Dual Port SAS frame supports dual SAS operation. To enable the dual port SAS operation the frame must be connected to two different hosts. The dual port SAS operation provides redundant host support for the drive. In the event of a host failure, dual port SAS units will continue to store data.

For single port SAS operation with the DataPort 25 Dual Port SAS frame connect the data cable to either SAS/SATA port 1 or port 2.

LED Activity

The front of the DataPort 25 has two LEDs; a green LED that lights up when the power to the hard drive is on and an amber LED that flashes when the drive is active, provided the hard disk drive supports the LED.

Note: To make the host drive the activity LED, connect the host LED driver to JP7 on the DataPort 25 frame. Connect the host LED activity to pin 1 and the ground to pin 2. This feature may conflict with the hard disk drive status.

Note: The green LED will flash if an incorrect data cable for the carrier is connected. For single port SAS use, remove the jumper on JP9 (see Figure 1) and use SAS/SATA port 1 (JP4).

Product Warranty

CRU-DataPort (CRU) warrants the DataPort 25 to be free of significant defects in material and workmanship for a period of three years from the original date of purchase. CRU's warranty is nontransferable and is limited to the original purchaser.

Limitation of Liability

The warranties set forth in this agreement replace all other warranties. CRU expressly disclaims all other warranties, including but not limited to, the implied warranties of merchantability and fitness for a particular purpose and noninfringement of third-party rights with respect to the documentation and hardware. No CRU dealer, agent or employee is authorized to make any modification, extension, or addition to this warranty. In no event will CRU or its suppliers be liable for any costs of procurement of substitute products or services, lost profits, loss of information or data, computer malfunction, or any other special, indirect, consequential, or incidental damages arising in any way out of the sale of, use of, or inability to use any CRU product or service, even if CRU has been advised of the possibility of such damages. In no case shall CRU's liability exceed the actual money paid for the products at issue. CRU reserves the right to make modifications and additions to this product without notice or taking on additional liability.

Register your product at www.CRU-DataPort.com.

A5-025-0008 Rev. 1.0