

DataPort 4-Bay Mini SATA Enclosure with DataPort 25s



This install guide is intended to support DataPort 4 Bay Mini SATA Enclosures with DP25s in the following configurations:

0044-5930-5280	4 Bay Mini with Dual Drive SATA DP25s
0044-7130-5240	4 Bay Mini with 4 SAS/SATA DP25s
0044-7230-5280	4 Bay Mini with 4 Dual Port SAS DP25s

Package Contents

- 1 - DataPort 4 Bay Mini Enclosure
- 4 - DataPort 25 Carrier & Frame Assemblies
- 4 - Key Sets
- 4 - Screw Kits
- 1 - Power Cable

The DataPort 4-Bay Mini SATA Enclosure with DataPort 25s supports up to 8 SATA hard drives. The DataPort 4-Bay Mini SATA Enclosure with DataPort 25s uses SFF-8470 (InfiniBand) connectors. It requires two multi-lane cables with the SFF-8470 connector for the enclosure.

NOTE: The DataPort 4-Bay Mini SATA Enclosure with DataPort 25s does not include the required external enclosure to host cable.

The DataPort 4-Bay Mini SATA Enclosure with DataPort 25s supports two different multi-lane cables, the SFF-8470 (InfiniBand) to SFF-8470 (InfiniBand) cable (CRU Part Number 7366-700-03) or the SFF-8470 (InfiniBand) to SFF-8088 (Mini-SAS) cable (CRU part number 7366-701-01). Consult your host bus adapter manual to determine which interface (connector) it supports.

For host support CRU provides a cable assembly kit. The 4x SATA to SFF-8470 (InfiniBand) PCI host adapter with (4) SATA data cables and SFF-8470 (InfiniBand) to SFF-8470 (InfiniBand) external cable (CRU part number 7100-800-10) will provide the end to end cabling required to set up the DataPort 4-Bay Mini SATA Enclosure with DataPort 25s.

These cables are available through CRU's authorized resellers.

Hard Drive Installation

1. Remove the two screws that hold the cover and slide the cover off.

NOTE: Do NOT use screws longer than those supplied as the circuit board will be damaged.

2. Connect the hard drive(s) to their respective connector(s) on the circuit board. Use the provided screws to secure the hard drive(s).
3. Slide the cover back on to the carrier and secure it with the cover screws.

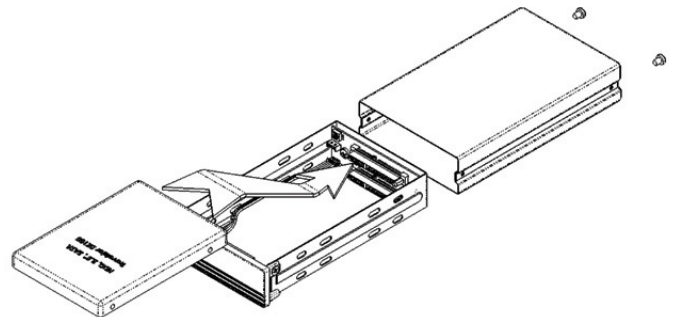


Figure 1: Installing Hard Drive

Enclosure Setup Instructions

1. Power off the host computer.
2. Connect the host computer to the DataPort 4-Bay Mini SATA Enclosure with two external multi-lane cables (not provided).

NOTE: For Dual SATA carriers; the leftmost SFF-8470 connector supports the lower drives in the DataPort 25s and the right SFF-8470 connector supports the upper drives in the DataPort 25s.

3. Install hard drives in the DataPort carriers. See hard drive installation instructions for more details.

4. Insert the DataPort carriers into the enclosure and engage the lock on the receive frames.

NOTE: The lock on the DataPort receiving frame functions as a lock and a DC power switch for the carrier unit. The lock **MUST** be engaged (turned counterclockwise) in order to supply power to the carrier and installed drive unit.

5. Power on the 4-Bay DataPort SATA Enclosure with the power button located on the lower right corner on the front of the enclosure. For best results power on the enclosure prior to power on the host system.

NOTE: The DataPort 4-Bay Mini SATA Enclosure with DataPort 25s supports hot swapping provided the host bus adapter also supports that feature. When hot swapping drives, ensure drive activity has stopped before powering down the DataPort 25s.

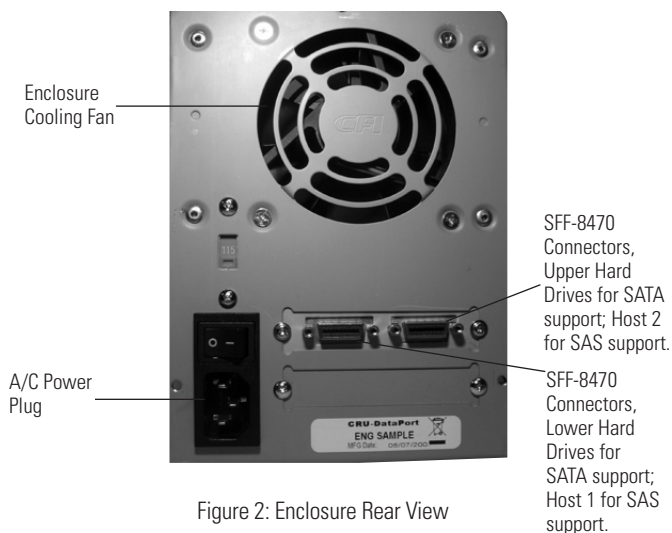


Figure 2: Enclosure Rear View

Limitation of Liability

The warranties set forth in this agreement replace all other warranties. CRU expressly disclaims all other warranties, including but not limited to, the implied warranties of merchantability and fitness for a particular purpose and non-infringement of third-party rights with respect to the documentation and hardware. No CRU dealer, agent or employee is authorized to make any modification, extension, or addition to this warranty. In no event will CRU or its suppliers be liable for any costs of procurement of substitute products or services, lost profits, loss of information or data, computer malfunction, or any other special, indirect, consequential, or incidental damages arising in any way out of the sale of, use of, or inability to use any CRU product or service, even if CRU has been advised of the possibility of such damages. In no case shall CRU's liability exceed the actual money paid for the products at issue. CRU reserves the right to make modifications and additions to this product without notice or taking on additional liability.

FCC Certification

This device has been tested and found to comply with the limits for a Class B digital device, pursuant to Part 15 of the FCC rules. Operation is subject to the following two conditions:

1. This device may not cause harmful interference, and
2. This device must accept any interference received; including interference that may cause undesired operation.

IT Power Systems

This enclosure is intended for use on a TN power system. This enclosure was evaluated for use on an IT power system in accordance with Norway National Differences to IEC60950-1.

Register your product at www.CRU-DataPort.com.

Product Warranty

CRU-DataPort (CRU) warrants the DataPort 4-Bay Mini SATA Enclosure with DataPort 25s to be free of significant defects in material and workmanship for a period of one year from the original date of purchase. CRU's warranty is nontransferable and is limited to the original purchaser.

A5-000-0005 Rev. 2.0