



## DataPort LP SAS/SATA Install Guide

The DataPort LP is designed to mount via top, bottom, or side mounts. This allows the maximum number of options to mount the DataPort LP into any enclosure.

### Package Contents

- 1 - DataPort LP SAS/SATA Carrier
- 1 - DataPort LP SAS/SATA Frame
- 4 - 6 x 32 x 3/8" flat-head screws for hard drive mounting
- 4 - M3 x 10mm Phillips pan-head screws for frame mounting

### Installation Instructions

To install the DataPort LP, remove the carrier from the frame. To remove the carrier, press the release button on the left corner of the carrier. This will release the ejection lever to remove the carrier (see figure 1). Extend the ejection lever fully to release the carrier. Use the lever to pull the carrier out of the frame.



Figure 1: Front View



### Install the Frame Into the Enclosure

1. Slide the frame into the enclosure and, using the screw holes provided, secure the frame into the enclosure. For installations requiring mounting rails, attach the mounting rails and then slide the frame into the enclosure.
2. Connect the data cable and the power cable to the back of the frame. For SATA support connect the HBA to JP4. For SAS support use JP5 or JP4 (see figure #2). For dual host support each data connector must be connected to a different host.

### Install the Hard Disk Drive Into the Carrier

1. Slide the SAS or SATA hard drive into the carrier and secure it with the provided screws.
2. Make sure the lever is fully extended before inserting the carrier into the frame. Insert the carrier and then close the lever by pushing it back in to complete the insertion and secure the carrier. Power up the enclosure; the drive should spin up and be operational. The green LED indicates that the drive is powered up and the amber LED indicates drive activity.

**IMPORTANT:** Read the following before removing the carrier!

Removing the DataPort LP carrier while it is operational is not recommended. The DataPort LP supports hot-swapping, but does not enable it. Your Host Bus Adapter must provide hot-swapping. If it does and you need to remove the carrier, observe the following precautions:

- Wait until the drive has stopped writing and there is no read/write activity
- If using a disk caching program, ensure all drive activity has completed
- After drive activity has concluded remove the carrier from the frame

The DataPort LP provides a front panel green LED indicating Power On to the hard disk drive. The DataPort LP ships with the drive activity LED always on and the drive feature Delayed Spin up disabled. To enable drive activity and Delayed Spin up remove the jumper from JP5. Please note many SAS drives support the drive ready LED feature during normal operation the LED will be on when the drive is ready and flash when the drive is in use.

For SAS/SATA Host Bus Adapter and RAID controller LED support, the DataPort LP activity LED can be externally driven. To enable this feature on JP7 jumper pins 1 & 2. Remove the jumper from JP5 and connect the host activity cable to JP5, where Pin 1 supports the activity signal and Pin 2 is ground.

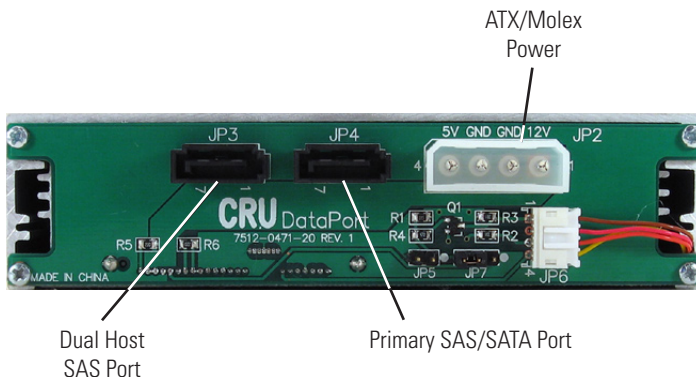


Figure 2: Back of Frame

## Limited Product Warranty

CRU-DataPort warrants the DataPort LP to be free of significant defects in material and workmanship for a period of one (1) year from the original date of purchase. CRU-DataPort's warranty is nontransferable and is limited to the original purchaser.

## Product Remedies

CRU-DataPort's entire liability and the original purchaser's exclusive remedy for any breach of warranty shall be, at CRU-DataPort's option, either (a) return of the price paid, or (b) repair or replacement of the hardware, provided that the hardware is returned to CRU-DataPort with a copy of the sales receipt or applicable documentation. Any replacement hardware will be warranted for the remainder of the original warranty period.

These remedies are void if the hardware fails because of accident, abuse, misapplication, or modification (this will be determined by CRU-DataPort).

## Limitation of Liability

The warranties set forth in this agreement replace all other warranties. CRU-DataPort expressly disclaims all other warranties, including but not limited to the implied warranties of merchantability and fitness for a particular purpose and noninfringement of third-party rights with respect to the documentation and hardware. No CRU-DataPort dealer, agent, or employee is authorized to make any modification, extension, or addition to this warranty. In no event will CRU-DataPort or its suppliers be liable for any costs of procurement of substitute products or services, lost profits, loss of information or data, computer malfunction, or any other special, indirect, consequential, or incidental damages arising in any way out of the sale of, use of, or inability to use any CRU-DataPort product or service, even if CRU-DataPort has been advised of the possibility of such damages. In no case shall CRU-DataPort's liability exceed the actual money paid for the products at issue.

CRU-DataPort reserves the right to make modifications and additions to this product without notice or taking on additional liability.

Register your product at [www.CRU-DataPort.com](http://www.CRU-DataPort.com).

A5-001-0004 Rev. 1.0